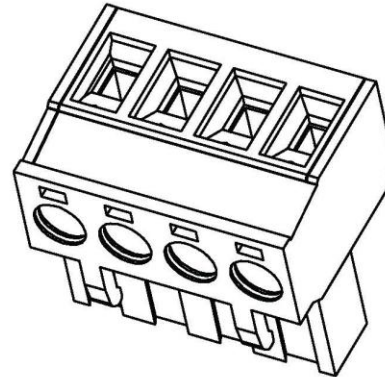
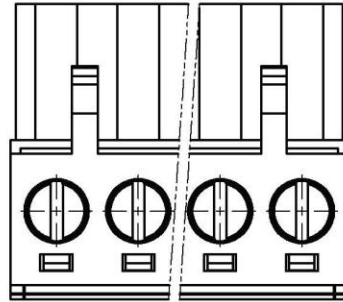


REVISION RECORD

| REV. | CONTENT | MOD. | DATE |
|------|---------|------|------|
| △    | 新发行     |      |      |

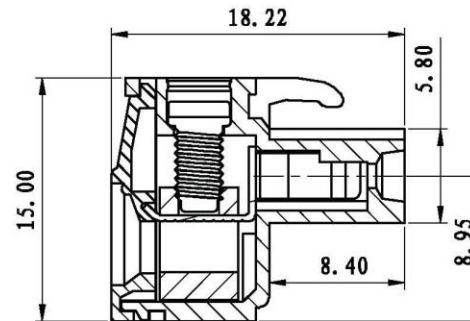
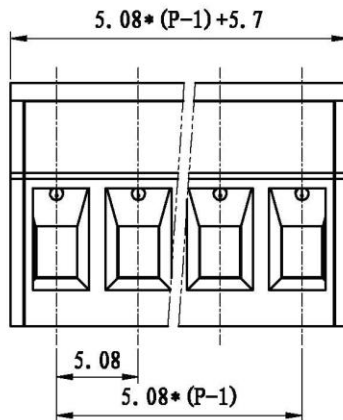


NOTES:

Pitch : 5.08mm  
 Rated Voltage : 300 V  
 Rated Current : 15 A  
 Withstand Voltage :  
 AC2500V for 1 minute  
 Insulation Resistance :  
 5MΩ / DC500V  
 Using Temperature Range :  
 - 40℃ ~ + 105℃  
 Wire range : 24~12 AWG  
 Screw Torque Value : 0.5N.m

技术要求:

间距: 5.08mm  
 额定电压: 300V  
 额定电流: 15A  
 耐电压值: AC2500V/min  
 绝缘阻抗: 5MΩ/DC500V  
 使用条件: -40℃~+105℃  
 适用线规: 24~ 12AWG  
 螺丝扭矩: 0.5N.m



|                | pitch dimension |        |         | Nominal dimension |         |         |          |          | —<br>□<br>○ |
|----------------|-----------------|--------|---------|-------------------|---------|---------|----------|----------|-------------|
|                | over 0          | over 6 | over 10 | over 0            | over 30 | over 60 | over 100 | over 150 |             |
| variable range | to 6            | to 10  | to 24   | to 30             | to 60   | to 100  | to 150   |          |             |
| Tolerance      | ±0.1            | ±0.15  | ±0.25   | ±0.2              | ±0.3    | ±0.5    | ±0.7     | ±1.0     | 0.05/10     |

|   |              |              |           |          |                                    |
|---|--------------|--------------|-----------|----------|------------------------------------|
| 5   | LC1-5.08-盖板  | 1001COYXXAV  | 1         | PA66     | UL94, V-0                          |
| 4   | LC1-5.08-螺丝  | SPOYA305301V | P         | 碳钢       | 三价铬钝化彩锌                            |
| 3   | LC1-5.08-铜方块 | F1A0BLCS083V | P         | 黄铜       | 镀镍                                 |
| 2   | LC5-5.08-夹子  | 1036B0001AV  | P         | 磷青铜      | 镀镍                                 |
| 1   | LC5-5.08-主体  | 1036MOYXXAV  | 1         | PA66     | UL94, V-0                          |
| NO.   | NAME OF PART | NO. OF PART  | QTY       | MATERIAL | NOTES                              |
| DES.  | xlm          | DATE         | 2012/3/16 | UNITS    | mm                                 |
| CHK.  |              | DATE         |           | SIZE     | A4                                 |
| APP.  |              | DATE         |           | SCALE    |                                    |
|   |              |              |           | DWG NO.  | SP-1-1036A01 RBV: V0               |
| 上海联捷电气有限公司<br>Shanghai Elinker Electric CO.,LTD |              |              |           | TITLE    | LC5-5.08-XXP-1Y-00A<br>LC5-5.08-成品 |