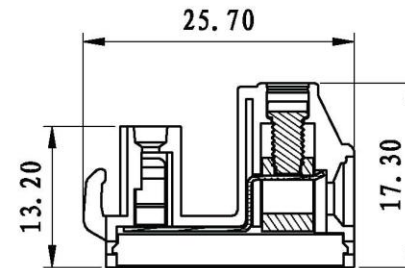
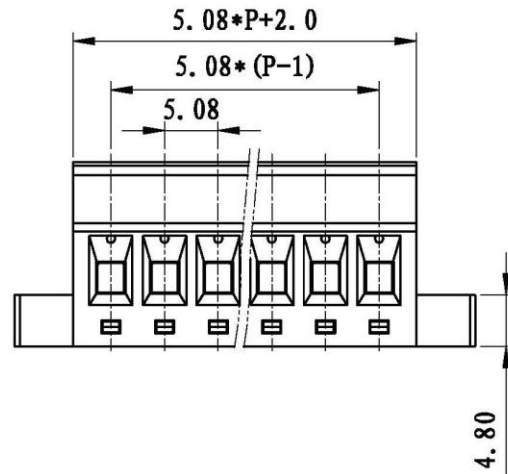
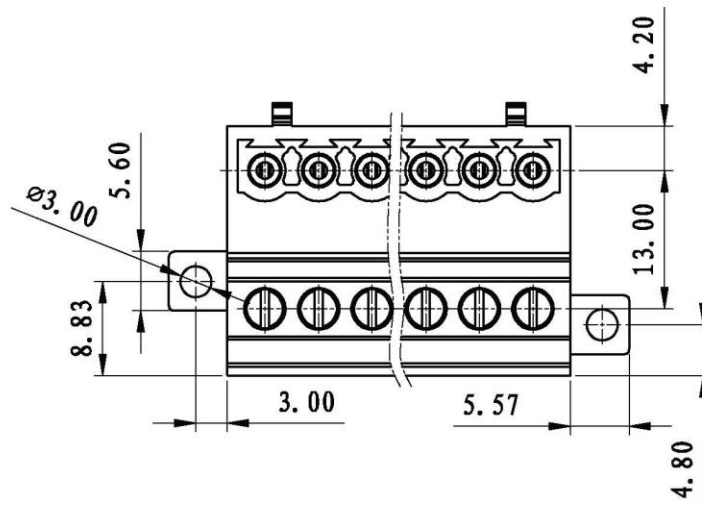


REVISION RECORD

REV.	CONTENT	MOD.	DATE
△	初版发行		



NOTES:

Pitch: 5.08mm Pole: 2-24P
 Rated Voltage: 300V
 Rated Current: 15A
 Withstand Voltage:
 AC2500V for 1 minute
 Insulation Resistance :
 5MΩ/DC500V
 Using Temperature Range : -40° - +150°
 Wire range : 24-12 AWG
 Screw Torque Value : 0.5N.m

技术要求:

间距: 5.08mm 极数: 2-24P
 额定电压: 300V
 额定电流: 15A
 耐电压值: AC 2500V/min
 绝缘阻抗: 5MΩ
 使用条件: -40℃ - +105℃
 适用线规: 24-12AWG
 螺丝扭矩: 0.5 N.m

	pitch dimension			Nominal dimension					— /
	over 0	over 6	over 10	over 0	over 30	over 60	over 100	over 150	
variable range	to 6	to 10	to 24	to 30	to 60	to 100	to 150		□ ○
Tolerance	±0.1	±0.15	±0.25	±0.2	±0.3	±0.5	±0.7	±1.0	0.05/10

5	LC17-5.08夹子	1046B0001AV	XXP	磷青铜	镀镍
4	LC1-5.08-方块	F1A0BLC5083V	XXP	黄铜	镀镍
3	LC1-5.08-螺丝	SPOYA3053011	XXP	碳钢	三价铬钝化彩锌
2	LC17-5.08盖板	1046C0YXXAV	1	PA66-V0	
1	LC17-5.08主体	1046A0YXXAV	1	PA66-V0	
NO.	NAME OF PART	NO. OF PART	QTY	MATERIAL	NOTES
DES.	LDD	DATE	2012/05/19	UNITS	mm
CHK.	DATE	SIZE	A4	THIRD ANGLE PROJECT	
APP.	DATE	SCALE	1:1	DWG NO.	SP-2-1046001
上海联捷电气有限公司 Shanghai Einker Electric CO.,LTD				TITLE	LC17-5.08-XXP-1Y-00A LC17-5.08成品