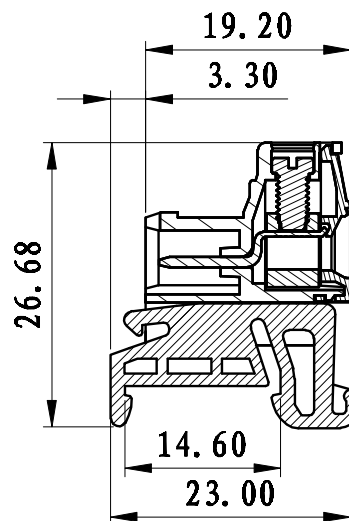
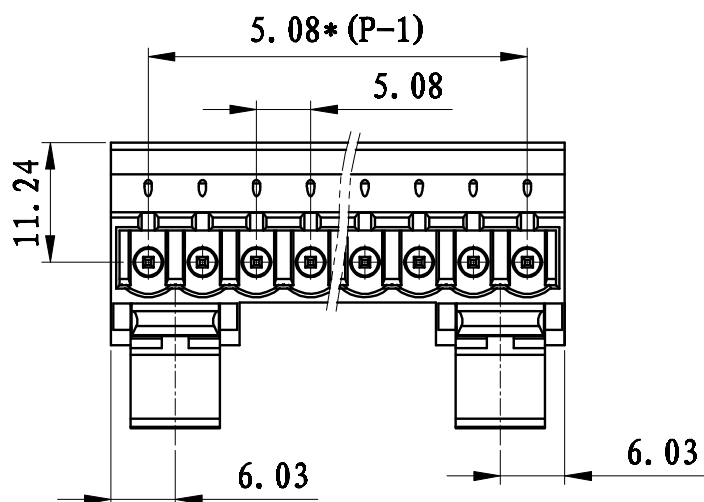
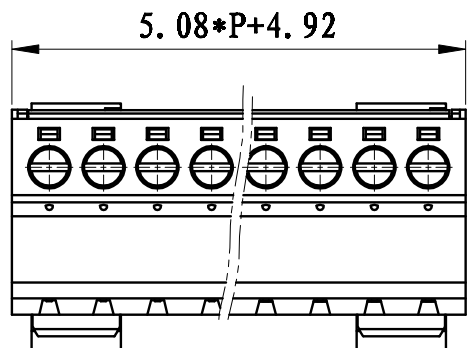


REVISION RECORD			
REV.	CONTENT	MOD.	DATE
△	初版发行	ARKINE	160520



**NOTES:**  
 Pitch : 5.08mm  
 Rated Voltage : 300V  
 Rated Current : 20A  
 Withstand Voltage :  
 AC2500V for 1 minute  
 Insulation Resistance :  
 500MΩ / DC500V  
 Using Temperature Range :  
 -40℃ ~ +105℃  
 Wire range : 24~12 AWG  
 Screw Torque Value : 0.8Nm  
 Ploc:2-24

**技术要求:**  
 间距: 5.08mm  
 额定电压: 300V  
 额定电流: 20A  
 耐电压值: AC2500V/min  
 绝缘阻抗: 500MΩ/DC500V  
 使用条件: -40℃~+105℃  
 适用线规: 24~12 AWG  
 螺丝扭矩: 0.8 Nm  
 极数: 2~24P

6	LC10-5.08-焊脚	1011B0001AV	P	紫铜	镀雾锡
5	LC1-5.08-螺丝	SP0YA305301V	P	碳钢	三价铬钝化彩锌
4	LC1-5.08-铜方块	F1A0BLC5083V	P	黄铜	镀镍
3	LC1-5.08-盖板	1001C0YXXAV	1	PA66-V0	
2	LC15-5.08脚	1067T0Y00AV		PA66-V0	
1	LC16-5.08本体	1045A0YXXAV	1	PA66-V0	

NO.	NAME OF PART	NO. OF PART	Q'TY	MATERIAL	NOTES
DES.	ARKINE	DATE	2013/01/30	UNITS	mm
CHK.		DATE		SIZE	A4
APP.		DATE		SCALE	1:1

<b>上海联捷电气有限公司</b> Shanghai Elinker Electric CO., LTD				TITLE	LC15-5.08-XP-140-00A LC15-5.08-成品
---	--	--	--	-------	--------------------------------------

	pitch dimension			Nominal dimension					—
	over 0	over 6	over 10	over 0	over 30	over 60	over 100	over 150	
variable range	to 6	to 10	to 24	to 30	to 60	to 100	to 150		▱
Tolerance	±0.1	±0.15	±0.25	±0.2	±0.3	±0.5	±0.7	±1.0	⌒