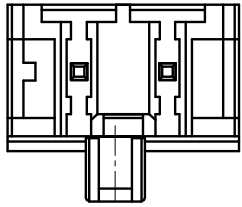


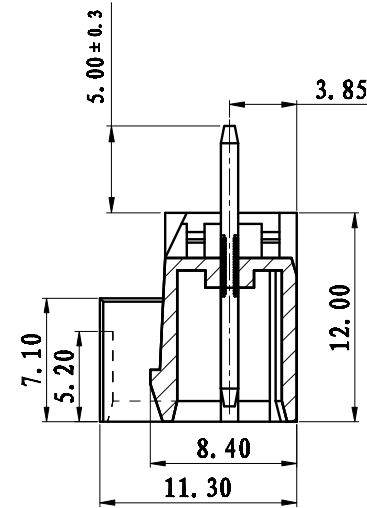
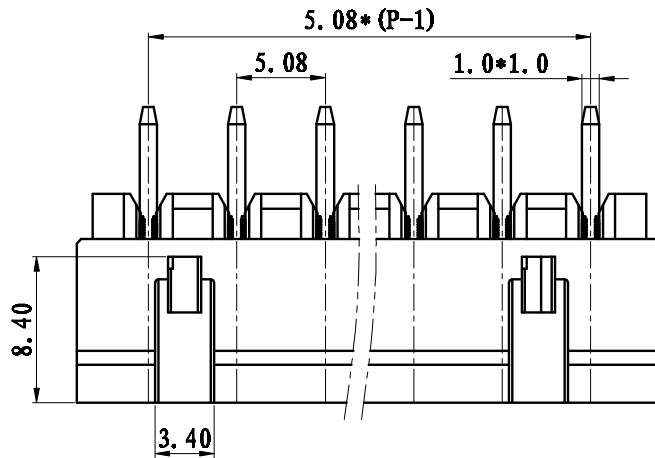
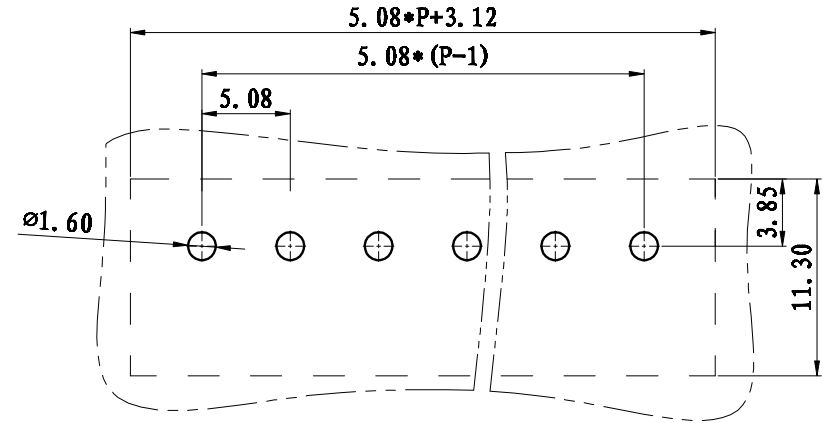
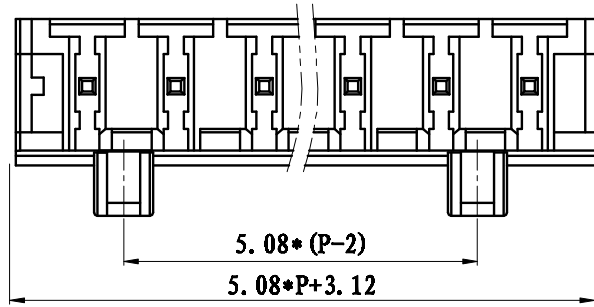
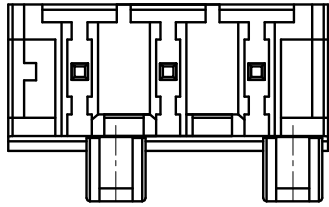
REVISION RECORD

| REV. | CONTENT | MOD. | DATE |
|------|---------|------|------|
| △    | 初版发行    |      |      |

2P



3P



NOTES:  
 Pitch: 5.08mm  
 Rated Voltage: 300 V  
 Rated Current: 15 A  
 Withstand Voltage:  
 AC2500V for 1 minute  
 Insulation Resistance:  
 500MΩ / DC500V  
 Using Temperature Range:  
 -40℃ ~ +105℃

技术要求:  
 间距: 5.08mm  
 额定电压: 300V  
 额定电流: 15A  
 耐电压值: AC2500V/min  
 绝缘阻抗: 500MΩ/DC500V  
 使用条件: -40℃ ~ +105℃

|                | pitch dimension |              |               | Nominal dimension |               |                |                 |      | —<br>◇<br>○ |
|----------------|-----------------|--------------|---------------|-------------------|---------------|----------------|-----------------|------|-------------|
|                | over 0 to 6     | over 6 to 10 | over 10 to 24 | over 0 to 30      | over 30 to 60 | over 60 to 100 | over 100 to 150 |      |             |
| variable range | 0 to 6          | 6 to 10      | 10 to 24      | 0 to 30           | 30 to 60      | 60 to 100      | 100 to 150      | ◇    |             |
| Tolerance      | ±0.1            | ±0.15        | ±0.25         | ±0.2              | ±0.3          | ±0.5           | ±0.7            | ±1.0 |             |

|      |               |             |            |          |                       |
|------|---------------|-------------|------------|----------|-----------------------|
| 2    | LSZ1-5.08-直针  | 1055B00010V | P          | 黄铜       | 镀雾锡                   |
| 1    | LSZ1B-5.08-主体 | 1060A0YXXAV | 1          | PA66-V0  |                       |
| NO.  | NAME OF PART  | NO. OF PART | Q'TY       | MATERIAL | NOTES                 |
| DES. | LDD           | DATE        | 2012/08/15 | UNITS    | mm                    |
| CHK. |               | DATE        |            | SIZE     | A4                    |
| APP. |               | DATE        |            | SCALE    |                       |
|      |               |             |            | DWG NO.  | SP-2-1060001          |
|      |               |             |            | TITLE    | LSZ1BV-5.08-XP-1Y-00A |
|      |               |             |            |          | LSZ1BV-5.08-成品        |

上海联捷电气有限公司  
 Shanghai Elinker Electric CO.,LTD