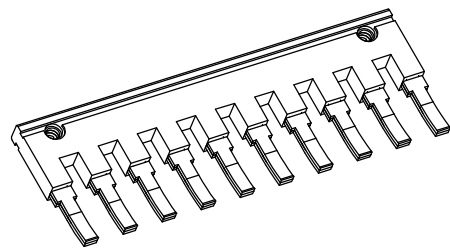
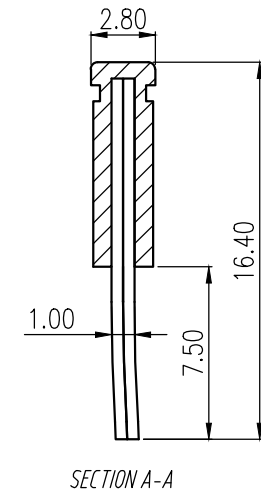
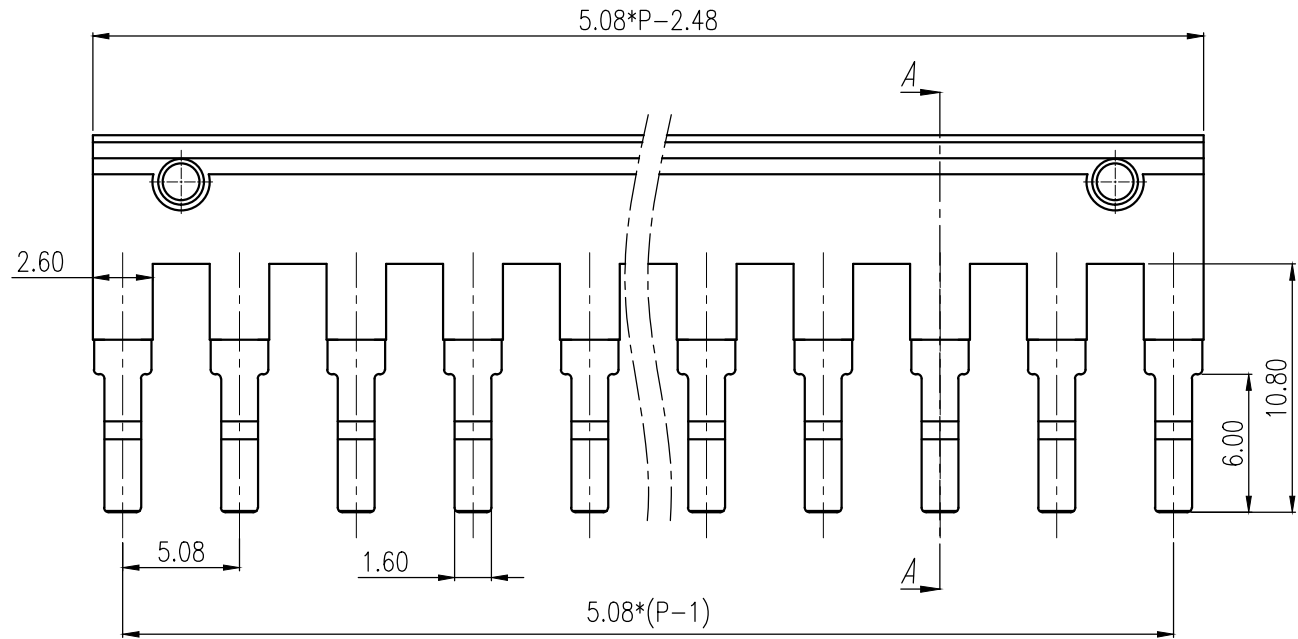


REVISION RECORD			
REV.	CONTENT	MOD.	DATE
△	初版发行		



技术要求:

1. 避免色差、明显变形和缩水等现象
2. 最大毛边为0.05mm
3. 与LC1-5.08、H3802系列的产品匹配

	pitch dimension			Nominal dimension					— /
	over 0 to 6	over 6 to 10	over 10 to 24	over 0 to 30	over 30 to 60	over 60 to 100	over 100 to 150	0.05/10	
variable range	0 to 6	6 to 10	10 to 24	0 to 30	30 to 60	60 to 100	100 to 150	0.05/10	
Tolerance	±0.1	±0.15	±0.25	±0.2	±0.3	±0.5	±0.7	±1.0	

1.	EBL-XX-5连接件		EBL-XX-5连接件		1	PA66-V0加镀镍磷青铜	红色
NO.	NAME OF PART		NO. OF PART		Q' TY	MATERIAL	NOTES
DES.	ZD	DATE	2021-2-20	UNITS	MM	THIRD ANGLE PROJECTION	SHEET
CHK.		DATE		SIZE	A4		1 of 1
APP.		DATE		SCALE	1:1	DWG NO.	SP-2-EBL001
上海联捷电气有限公司 Shanghai Elinker Electric C O.,LTD						TITLE	EBL-XX-5连接件
							EBL-XX-5连接件(成品)