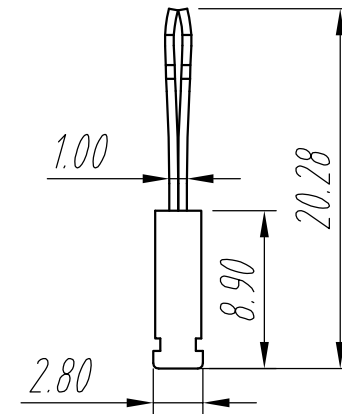
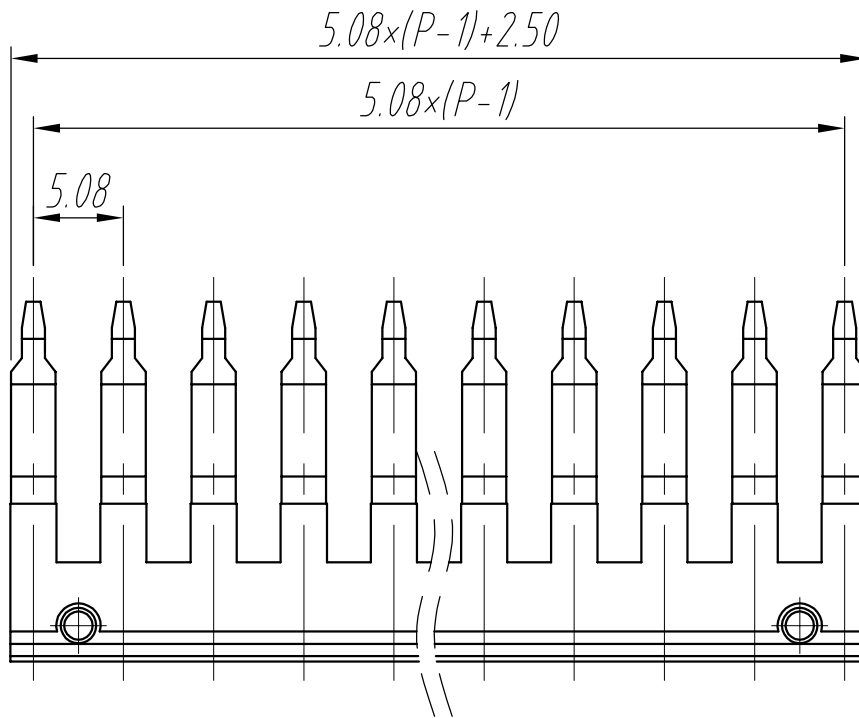
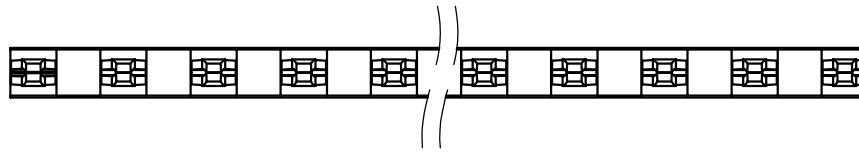



REVISION RECORD			
REV.	CONTENT	MOD.	DATE
△	初版发行		



	pitch dimension			Nominal dimension					—
variable range	over 0	over 6	over 10	over 0	over 30	over 60	over 100	over 150	□
	to 6	to 10	to 24	to 30	to 60	to 100	to 150		○
Tolerance	±0.1	±0.15	±0.25	±0.2	±0.3	±0.5	±0.7	±1.0	0.05/10

1	FBL-XX-5连接件	FBL-XX-5	1		
NO.	NAME OF PART	NO. OF PART	Q'TY	MATERIAL	NOTES
DES.	ZJL	DATE 2022/8/16	UNITS	MM	THIRD ANGLE PROJECTION
CHK.		DATE	SIZE	A4	1 of 1
APP.		DATE	SCALE	1:1	DWG NO. SP-2-6STL01
 <b>上海联捷电气有限公司</b> Shanghai Elinker Electric Co., LTD				TITLE	FBL-XX-5 FBL-XX-5连接件