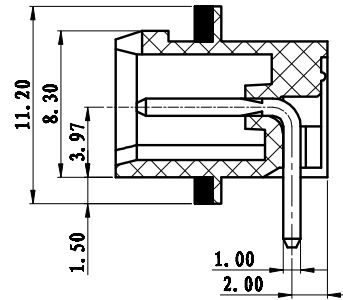
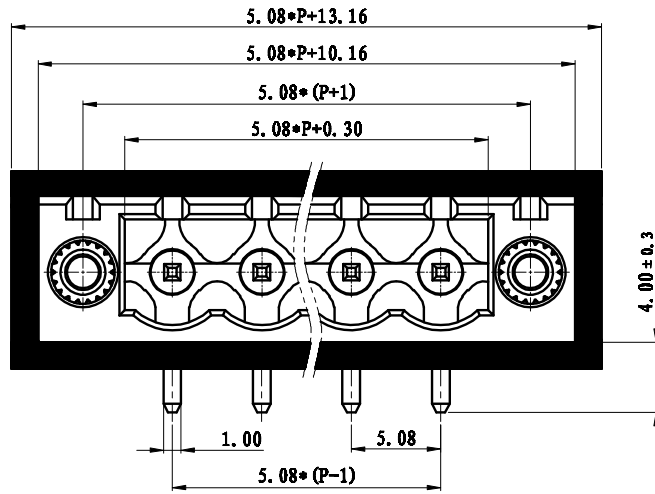


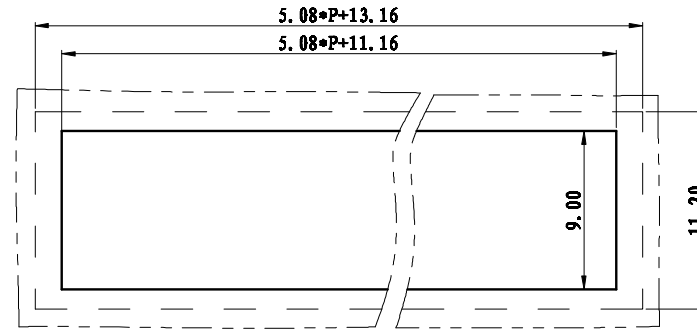
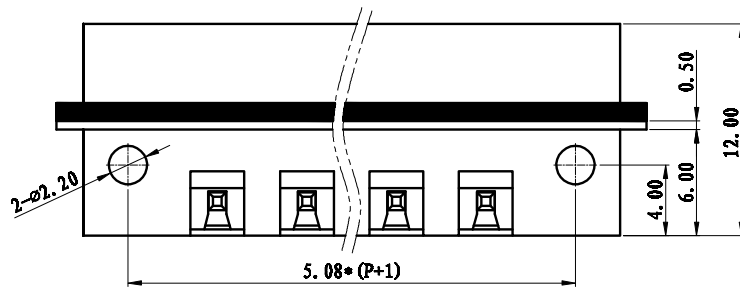
REVISION RECORD			
REV.	CONTENT	MOD.	DATE
0	初版发行		



NOTES:

Pitch : 5.08mm
 Rated Voltage : 300V
 Rated Current : 15A
 Withstand Voltage :
 AC2500V for 1 minute
 Insulation Resistance :
 5MΩ / DC500V
 Using Temperature Range :
 -40℃ ~ +105℃

技术要求:
 间距: 5.08mm
 额定电压: 300V
 额定电流: 15A
 耐电压值: AC2500V/min
 绝缘阻抗: 5MΩ/DC500V
 使用条件: -40℃~+105℃



	pitch dimension			Nominal dimension					— /
	over 0	over 6	over 10	over 0	over 30	over 60	over 100	over 150	
variable range	to 6	to 10	to 24	to 30	to 60	to 100	to 150		□
Tolerance	±0.1	±0.15	±0.25	±0.2	±0.3	±0.5	±0.7	±1.0	○

4	LZ1P-5.08-XXP-前封圈	DMFQ00001AV	1	EVA板材	环保
3	LZ1-耳朵螺母	SM01B350000V	2	黄铜	
2	LZ1-5.08-弯针	1015B0002AV	P	黄铜	镀雾锡
1	LZ1FM-5.08-本体	1020007XXAV	1	PA66-70	
NO.	NAME OF PART	NO. OF PART	Q' TY	MATERIAL	NOTES
DES.	YTX	DATE	2014/5/19	UNITS	MM
CHK.		DATE		SIZE	A4
APP.		DATE		SCALE	1:1
				DWG NO.	SP-2-1020002
				REV:	V0
 上海联捷电气有限公司 Shanghai Blinker Electric CO.,LTD				TITLE	LZ1FRM-5.08-XXP-1Y-00A
					LZ1FRM-5.08-成品