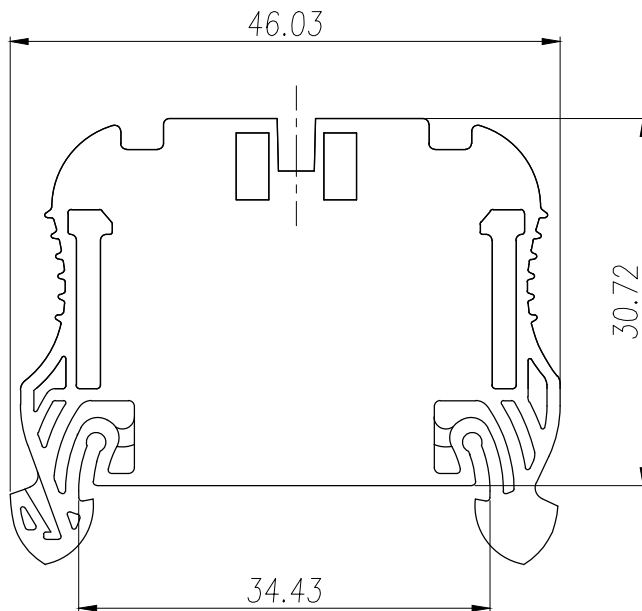
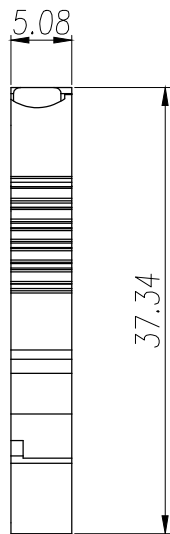
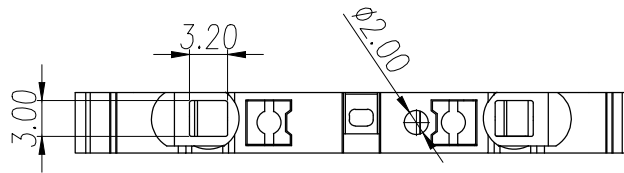


REVISION RECORD			
REV.	CONTENT	MOD.	DATE
△/0	初版发行		



NOTES:

1. Voltage Rating: 600V, Current Rating: 24A
2. PITCH: 5.08mm
3. Insulation Withstands Voltage: AC2000V/min
4. Using Temperature Range: -40°C ~ +105°C
5. Suitable Electric Wire: 24-12AWG

技术要求:

1. 额定电压: 600V, 额定电流: 24A
2. 间距: 5.08mm
3. 耐电压值: AC 2000V/min
4. 使用条件: -40°C ~ +105°C
5. 适用线规: 24-12AWG

	pitch dimension			Nominal dimension					— /
	over 0 to 6	over 6 to 10	over 10 to 24	over 0 to 30	over 30 to 60	over 60 to 100	over 100 to 150	over 150	
variable range	0 to 6	6 to 10	10 to 24	0 to 30	30 to 60	60 to 100	100 to 150	150 to	□ ○
Tolerance	±0.1	±0.15	±0.25	±0.2	±0.3	±0.5	±0.7	±1.0	0.05/10

4	LD1-2.5按钮	6LD1D400203V-1	2P	PBT	
3	LD1-2.5弹片	6LD1B0001AV	2P	不锈钢	
2	LD1-2.5导电件	6LD1B0002AV	P	紫铜	
1	UD2.5主体	60UDA10243V	P	PA66	灰色
NO.	NAME OF PART	NO. OF PART		MATERIAL	NOTES
DES.	CMZ	DATE 2024/08/03	UNITS mm	THIRD ANGLE PROJECTION	SHEET
CHK.		DATE	SIZE A4		1 of 1
APP.		DATE	SCALE 1:1	DWG NO. SP-60UDA1	REV: V0
上海联捷电气有限公司 Shanghai Elinker Electric CO., LTD				TITLE	UD-2.5-110-00A UD-2.5-110-00A产品