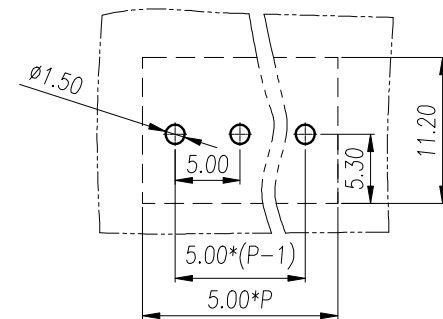
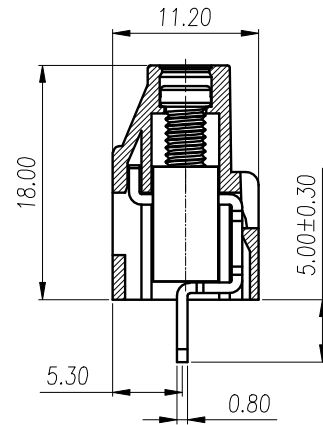
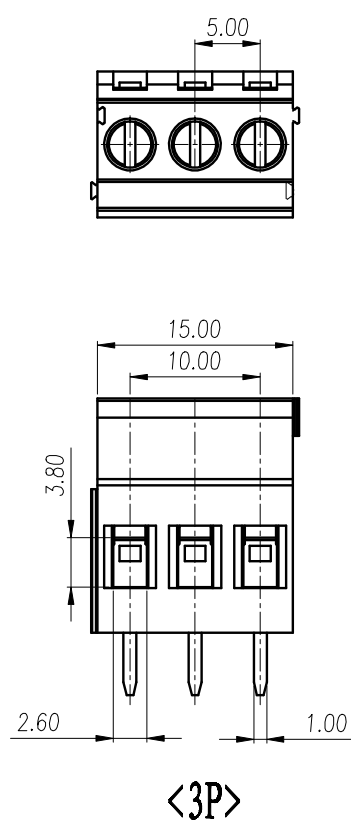
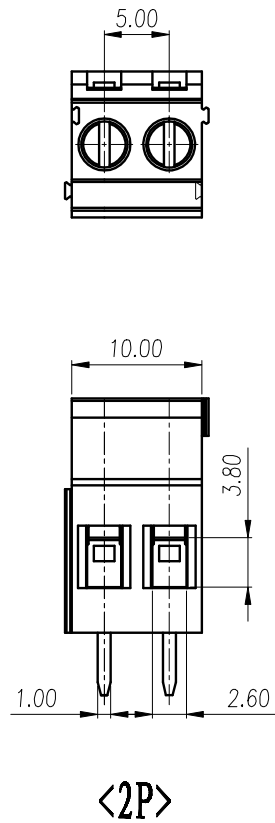


REVISION RECORD			
REV.	CONTENT	MOD.	DATE
①	初版发行		



**NOTES:**

1. Voltage Rating: 300V, Current Rating: 18A
2. PITCH: 5.0mm
3. Insulation Withstands Voltage: AC2500V/min
4. Insulation Resistance: 500MΩ or more at DC500V
5. Using Temperature Range: -40° C ~ +105° C
6. Suitable Electric Wire: AWG 26-12
7. Screw Torque Value: 0.5Nm

**技术要求:**

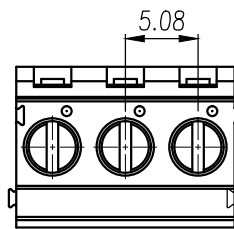
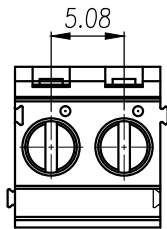
1. 额定电压: 300V, 额定电流: 18A
2. 间距: 5.0mm
3. 耐压值: AC 2500V/min
4. 绝缘阻抗: 500兆欧/DC500V
5. 使用条件: -40° - +105°
6. 适用线规: AWG 26-12
7. 螺丝扭力: 0.5Nm

	pitch dimension			Nominal dimension					— /
	over 0	over 6	over 10	over 0	over 30	over 60	over 100	over 150	
variable range	to 6	to 10	to 24	to 30	to 60	to 100	to 150		□ ○
Tolerance	±0.1	±0.15	±0.25	±0.2	±0.3	±0.5	±0.7	±1.0	0.05/10

4.	LG129V-焊脚	2018B0001AV	P	黄铜	镀锡
3.	LG129-铜方块	F1A0BLG1293V	P	黄铜	镀镍
2.	LG129-螺丝	SPOFA306701V	P	碳钢	三价铬钝化彩锌
1.	LG129-5.0-本体(带拼接)	2018A0YXXAVP	1	PA66-Y0	
NO.	NAME OF PART	NO. OF PART	QTY	MATERIAL	NOTES
DES.	ARKINB	DATE	11-03-13	UNITS mm	THIRD ANGLE PROJECTION SHEET
CHK.		DATE		SIZE A4	1 of 1
APP.		DATE		SCALE 1:1	DWG NO. SP-2-2018001 REV: V0
上海联捷电气有限公司 Shanghai Elinker Electric CO., LTD				TITLE	LG129V-5.0-XXP-1Y-00A LG129V-5.0-成品(带拼接)

REVISION RECORD

REV.	CONTENT	MOD.	DATE
△	初版发行		

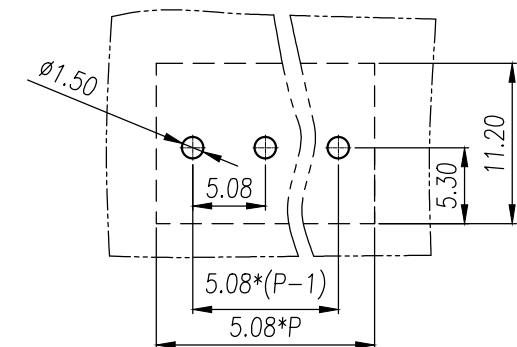
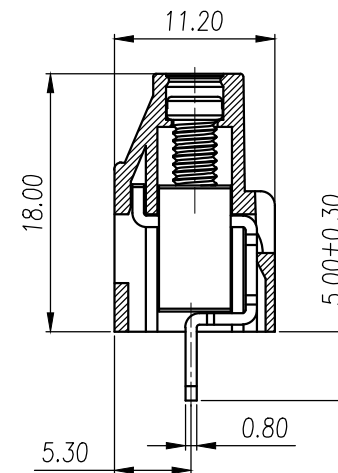
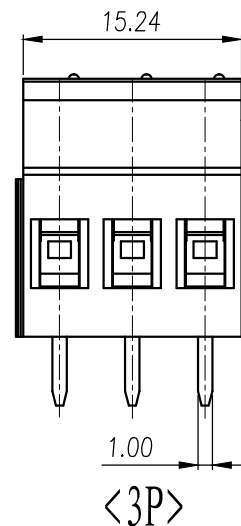
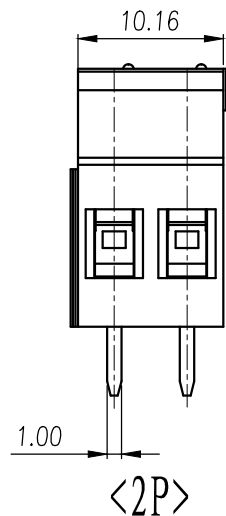


NOTES:

1. Voltage Rating: 300V, Current Rating: 18A
2. PITCH: 5.08mm
3. Insulation Withstands Voltage: AC2500V/min
4. Insulation Resistance: 500MΩ or more at DC500V
5. Using Temperature Range: -40° C - +105° C
6. Suitable Electric Wire: AWG 26-12
7. Screw Torque Value: 0.5Nm

技术要求:

1. 额定电压: 300V, 额定电流: 18A
2. 间距: 5.08mm
3. 耐压值: AC 2500V/min
4. 绝缘阻抗: 500兆欧/DC500V
5. 使用条件: -40° - +105° C
6. 适用线规: AWG 26-12
7. 螺丝扭力: 0.5Nm



		linear dimension					—	≡	▱	//	⊥
variable	to	over 6	over 30	over 50	over 100	over 150	all	to 5	over 5	over 30	over 120
range	to	to 30	to 50	to 100	to 150	to 200			to 30	to 120	
Tolerance		±0.03	±0.05	±0.1	±0.2	±0.25	0.25%	±0.025	±0.06	±0.15	±0.3

4.	LG129V-焊脚	2018B0001AV	P	黄铜	镀雾锡
3.	LG129-铜方块	F1A0BLG1293V	P	黄铜	镀镍
2.	LG129-螺丝	SP0FA306701V	P	碳钢	三价铬钝化彩锌
1	LG129-5.08-本体(带拼接)	2007A0YXXAVP	1	PA66-V0	
NO.	NAME OF PART	NO. OF PART	Q'TY	MATERIAL	NOTES
DES.	ARKINE	DATE	11-03-13	UNITS	mm
CHK.		DATE		SIZE	A4
APP.		DATE		SCALE	1:1
				DWG NO.	SP-2-2007001
				REV:	V0
上海联捷电气有限公司 Shanghai Elinker Electric C. O, LTD				TITLE	LG129V-5.08-XXP-1Y-00A LG129V-5.08成品(带拼接)