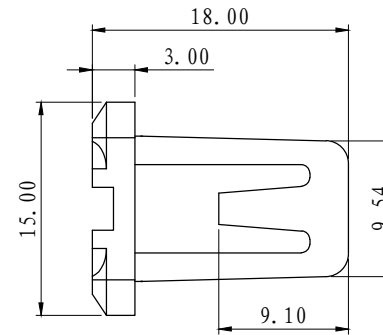
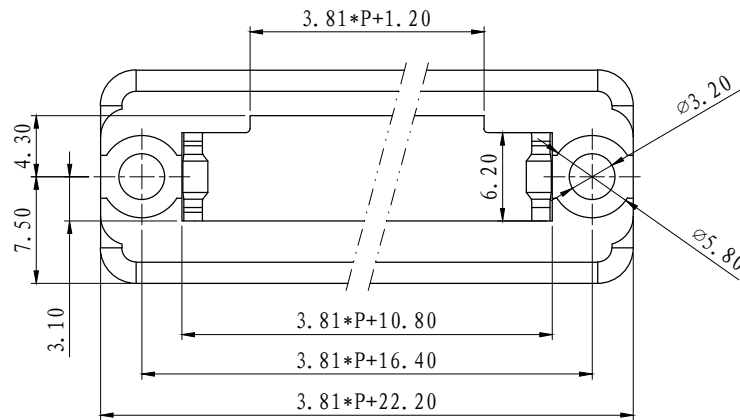
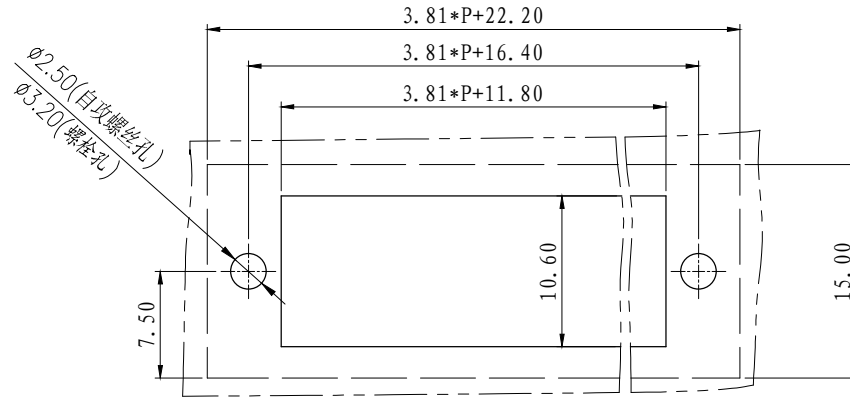
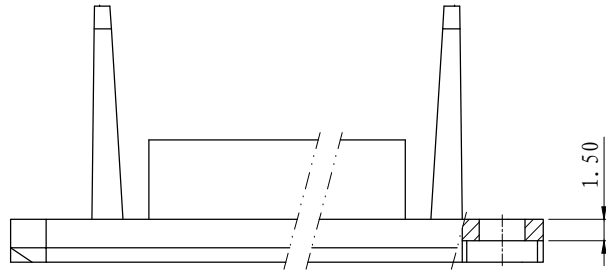



REVISION RECORD			
REV.	CONTENT	MOD.	DATE
△	初版发行		



技术要求:

1. 避免色差明显变形和缩水现象
2. 最大允许毛刺量0.05mm
3. 与LC10MG-3.81的产品匹配

	pitch dimension			Nominal dimension					— /
	over 0 to 6	over 6 to 10	over 10 to 24	over 0 to 30	over 30 to 60	over 60 to 100	over 100 to 150	0.05/10	
variable range	0 to 6	6 to 10	10 to 24	0 to 30	30 to 60	60 to 100	100 to 150	0.05/10	
Tolerance	±0.1	±0.15	±0.25	±0.2	±0.3	±0.5	±0.7	±1.0	

1	LZ5X-3.81-主体	1019M0YXXAV	1	PA66+10%GF	
NO.	NAME OF PART	NO. OF PART	Q'TY	MATERIAL	NOTES
DES.	CMZ	DATE 2023/12/25	UNITS	MM	THIRD ANGLE PROJECTION SHEET
CHK.		DATE	SIZE	A4	1 of 1
APP.		DATE	SCALE	1:1	DWG NO. SP-1-1019M01 REV: V0
 上海联捷电气有限公司 Shanghai Elinker Electric Co., Ltd				TITLE	LZ5X-3.81-XXP-1Y-00A LZ5X-3.81-产品