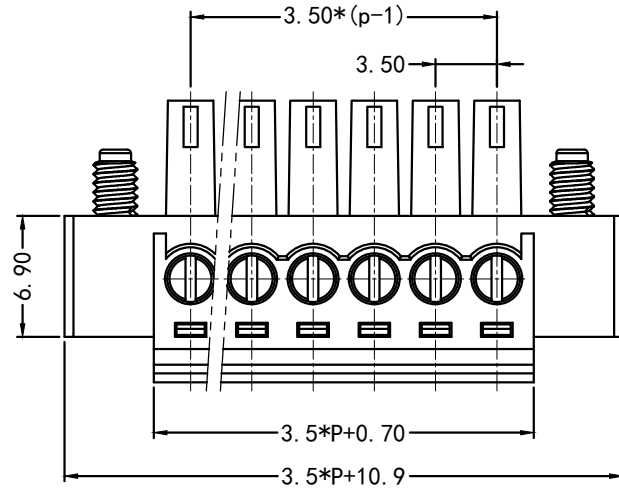
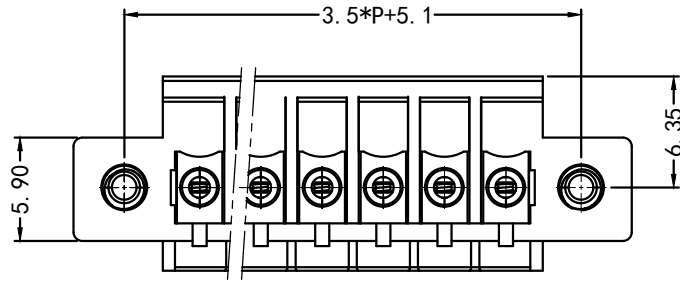


REVISION RECORD			
REV.	CONTENT	MOD.	DATE
△	初版发行		

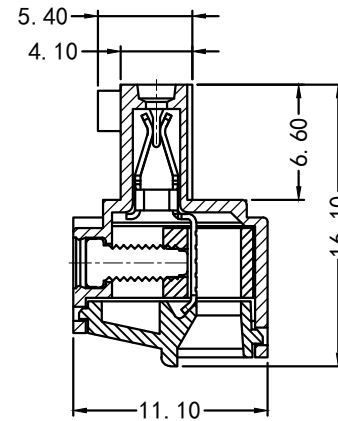


NOTES:

1. Voltage Rating: 300V, Current Rating: 8A
2. PITCH: 3.50mm
3. Insulation Withstands Voltage: AC2500V/min
4. Using Temperature Range:-40° C - +105° C
5. Suitable Electric Wire: 28-16 AWG
6. Screw Torque Value: 0.2Nm

技术要求:

1. 额定电压: 300V, 额定电流: 8A
2. 间距: 3.50mm
3. 耐压值: AC2500V/min
4. 使用条件: -40° - +105°
5. 适用线规: 28-16 AWG
6. 螺丝扭矩: 0.2Nm



6	LC1-耳朵螺丝	SPOYA255301V	2	碳钢	三价铬钝化彩锌
5	LC1-3.81-螺丝	SPOYA204801V	P	碳钢	三价铬钝化彩锌
4	LC1-3.81-铜方块	F1A0BLC3813V	P	黄铜	镀镍
3	LC1-3.81-夹子	1002B0001AV	P	磷青铜	镀锡
2	LC1-3.5-盖子	1021C0YXXAV	1	PA66-V0	
1	LC1M-3.5-本体	1021M0YXXAV	1	PA66-V0	

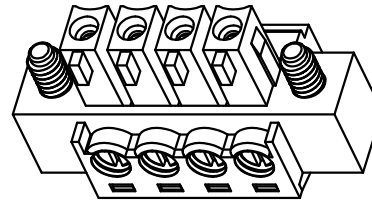
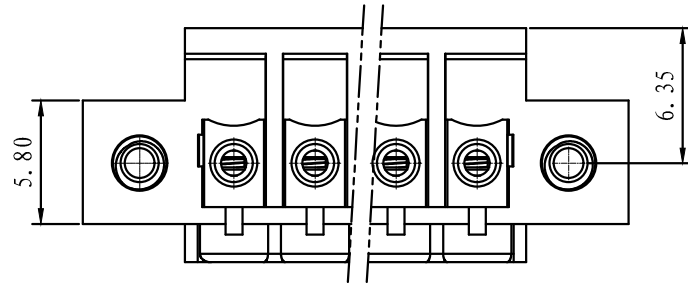
NO.	NAME OF PART	NO. OF PART	Q' TY	MATERIAL	NOTES
DES.	ARKINE	DATE	11-04-06	UNITS	MM
CHK.		DATE		SIZE	A4
APP.		DATE		SCALE	1:1


**上海联捷电气有限公司**  
 Shanghai Elinker Electric C.O,LTD

TITLE  
 LC1M-3.5-XXP-1Y-00A  
 LC1M-3.5-成品

	pitch dimension			Nominal dimension					—
	over 0	over 6	over 10	over 0	over 30	over 60	over 100	over 150	
variable range	to 6	to 10	to 24	to 30	to 60	to 100	to 150		▱
Tolerance	±0.1	±0.15	±0.25	±0.2	±0.3	±0.5	±0.7	±1.0	⌒

REVISION		RECORD	
REV.	CONTENT	MOD.	DATE
△	新发行		

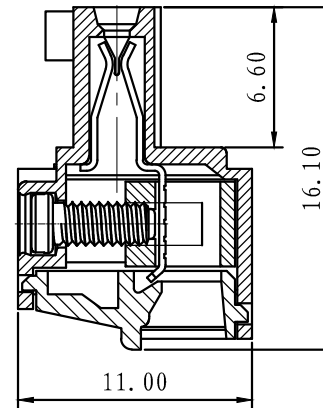
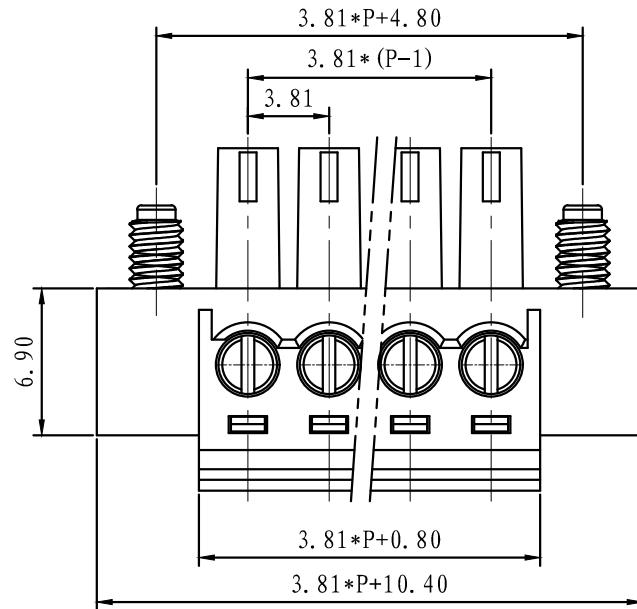


NOTES:

1. Voltage Rating: 300V, Current Rating: 8A
2. PITCH: 3.81mm
3. Insulation Withstands Voltage: AC2500V/min
4. Using Temperature Range: -40° C - +105° C
5. Suitable Electric Wire: 28-16AWG
6. Screw Torque Value: 0.2Nm

技术要求:


1. 额定电压: 300V, 额定电流: 8A
2. 间距: 3.81mm
3. 耐电压值: AC 2500V/min
4. 使用条件: -40° - +105°
5. 适用线规: 28-16AWG
6. 螺丝扭力: 0.2Nm



	pitch dimension			Nominal dimension					— /
	over 0 to 6	over 6 to 10	over 10 to 24	over 0 to 30	over 30 to 60	over 60 to 100	over 100 to 150		
variable range	0 to 6	6 to 10	10 to 24	0 to 30	30 to 60	60 to 100	100 to 150	0.05/10	
Tolerance	±0.1	±0.15	±0.25	±0.2	±0.3	±0.5	±0.7 ±1.0	0.05/10	

6	LC1-3.81-耳朵螺丝	SP0YA255301V	2	碳钢	三价铬钝化彩锌
5	LC1-3.81-螺丝	SP0YA204802V	P	碳钢	三价铬钝化彩锌
4	LC1-3.81-夹子	1002B0001AV	P	磷青铜	镀锡
3	LC1-3.81-铜方块	F1A0BLC3813V	P	黄铜	镀镍
2	LC1-3.81-盖子	1002C0YXXAV	1	PA66-V0	
1	LC1M-3.81-本体	1002M0YXXAV	1	PA66-V0	

NO.	NAME OF PART	NO. OF PART	Q'TY	MATERIAL	NOTES
DES.	ARKINE	DATE	2010/5/8	UNITS	mm
CHK.		DATE		SIZE	A4
APP.		DATE		SCALE	1:1
				DWG NO.	SP-2-1002001
				REV:	V0
				TITLE	LC1M-3.81-XXP-1Y-00A
					LC1M-3.81-成品


**上海联捷电气有限公司**  
 Shanghai Elinker Electric CO., LTD