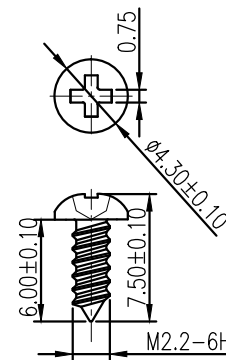
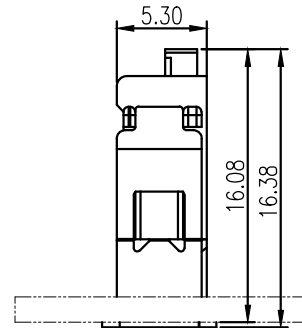
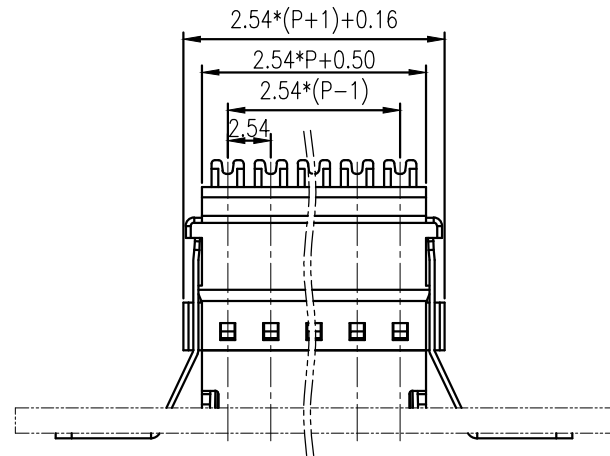
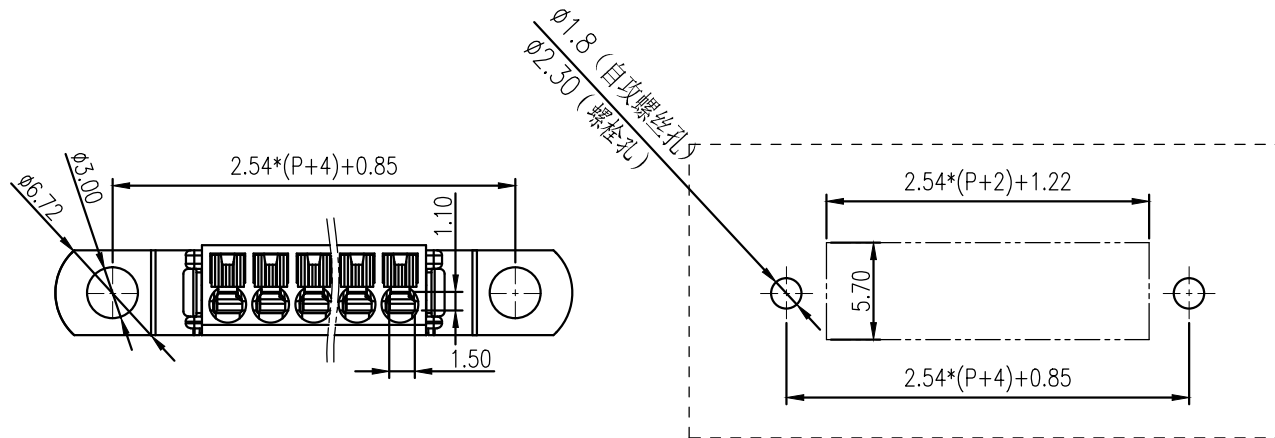


REVISION RECORD			
REV.	CONTENT	MOD.	DATE
△	初版发行		



NOTES:

1. Voltage Rating: 160V, Current Rating: 6A
2. PITCH: 2.54mm
3. Insulation Withstands Voltage: AC2000V/min
4. Insulation Resistance: 500MΩ or more at DC500V
5. Using Temperature Range: -40°C ~ +105°C
6. Suitable Electric Wire: 26-20AWG

技术要求:

1. 额定电压: 160V, 额定电流: 6A
2. 间距: 2.54mm
3. 耐电压值: AC 2000V/min
4. 绝缘阻抗500兆欧
5. 使用条件: -40°C ~ +105°C
6. 适用线规: 26-20AWG

7	M2.2*6.5圆头自攻螺丝	SQZSA226509V	2	碳钢	蓝白锌
6	LC80C-2.54穿墙件	1170B0002AV	2	SUS301	
5	LC80针	1170B0001AV	2	磷青铜	镀亮锡
4	LC8-2.54弹片	1169B0002AV	P	不锈钢	
3	LC8按钮	1169D0Y01AV	P	POM	
2	LC80-2.54-盖板	1258C0YXXAV	1	PA66	
1	LC8M-2.54主体	1169M0YXXAV	1	PA66	

NO.	NAME OF PART	NO. OF PART	Q'TY	MATERIAL	NOTES
DES.	吴央阳	DATE	24-02-19	UNITS	mm
CHK.	张华丰	DATE	24-02-19	SIZE	A4
APP.		DATE		SCALE	1:1

上海联捷电气有限公司 Shanghai Elinker Electric CO.,LTD	TITLE	LC80C-2.54-XXP-1Y-00A
		LC80C-2.54-成品

	pitch dimension			Nominal dimension					— /
	over	over	over	over	over	over	over	over	
variable	0	6	10	0	30	60	100	150	/
range	to	to	to	to	to	to	to	to	
	6	10	24	30	60	100	150		— /
Tolerance	±0.1	±0.15	±0.25	±0.2	±0.3	±0.5	±0.7	±1.0	0.05/10