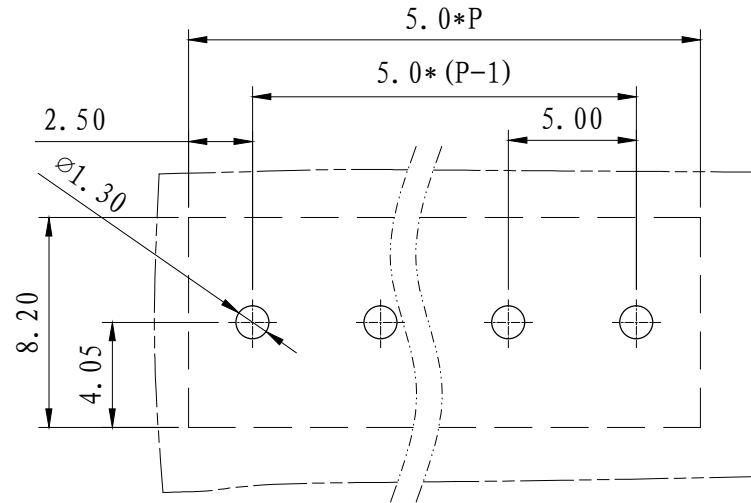
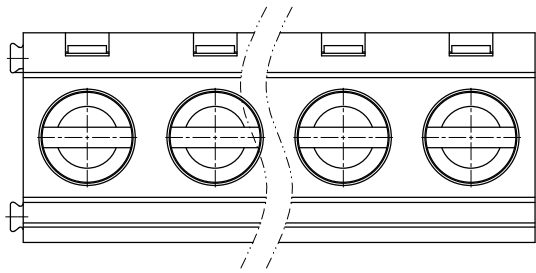
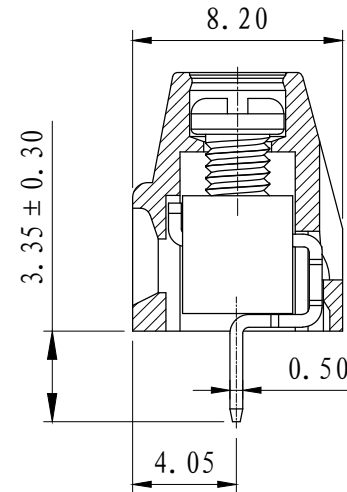
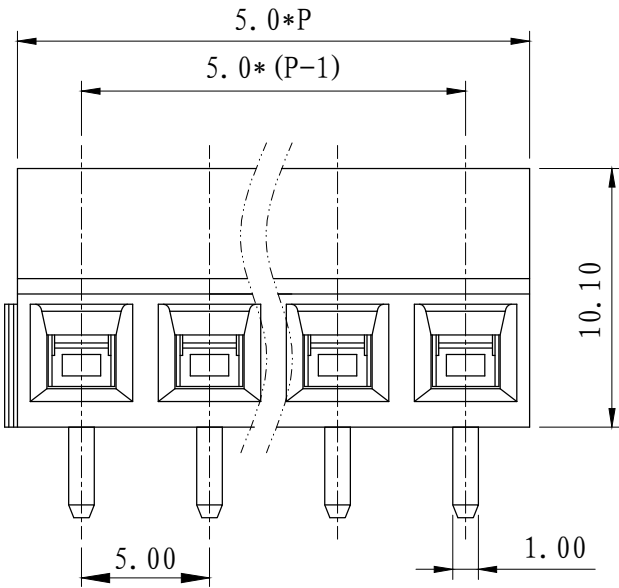


REVISION		RECORD	
REV.	CONTENT	MOD.	DATE
△	初版发行	ARKINE	



NOTES:

1. Voltage Rating: 300V, Current Rating: 8A
2. PITCH: 5.0mm
3. Insulation Withstands Voltage: AC2500V/min
4. Insulation Resistance: 500M Ω or more at DC500V
5. Using Temperature Range: -40 $^{\circ}$ C - +105 $^{\circ}$ C
6. Suitable Electric Wire: 26-16AWG
7. Screw Torque Value: 0.6Nm



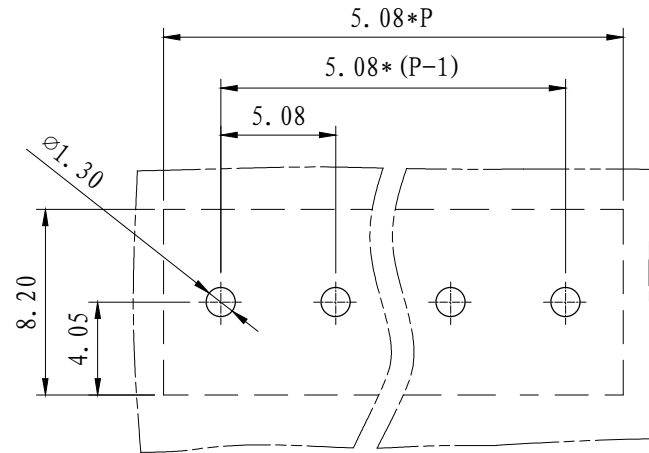
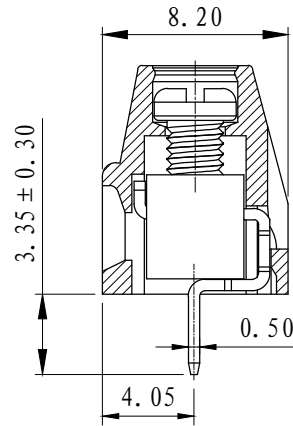
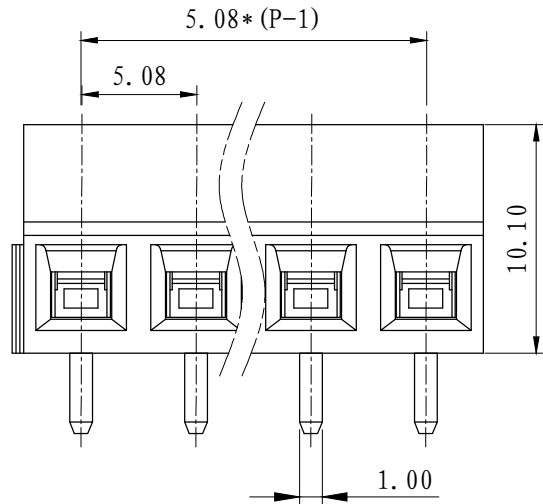
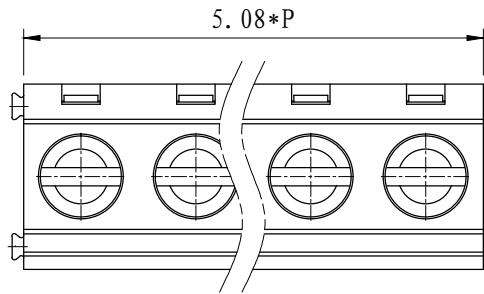
技术要求:

1. 额定电压: 300V, 额定电流: 8A
2. 间距: 5.0mm
3. 耐电压值: AC 2500V/min
4. 绝缘阻抗500兆欧
5. 使用条件: -40 $^{\circ}$ - +105 $^{\circ}$
6. 适用线规: 26-16AWG
7. 螺丝扭力: 0.6Nm

	pitch dimension			Nominal dimension					— /
	over 0 to 6	over 6 to 10	over 10 to 24	over 0 to 30	over 30 to 60	over 60 to 100	over 100 to 150		
variable range	0 to 6	6 to 10	10 to 24	0 to 30	30 to 60	60 to 100	100 to 150	□ ○	
Tolerance	±0.1	±0.15	±0.25	±0.2	±0.3	±0.5	±0.7	±1.0	0.05/10

4.	LG127V-焊脚	2004B0001AV	P	黄铜	镀雾锡		
3.	LG127-铜方块	F1A0BLG1273V	P	黄铜	镀镍		
2.	LG127-螺丝 (M3*3.6)	SPOYA253701V	P	碳钢	三价铬钝化彩锌		
1.	LG127-5.0-本体	2004A40XXAV-P	1	PA66-V0			
NO.	NAME OF PART	NO. OF PART	Q'TY	MATERIAL	NOTES		
DES.	ARKINE	DATE	2010/5/24	UNITS	MM	THIRD ANGLE PROJECTION	SHEET
CHK.		DATE		SIZE	A4		1 of 1
APP.		DATE		SCALE	1:1	DWG NO. SP-2-2004001	REV: V0
上海联捷电气有限公司 Shanghai Elinker Electric C.O., LTD						TITLE	LG127V-5.0-XXP-1Y-00A LG127V-5.0-成品

REVISION		RECORD	
REV.	CONTENT	MOD.	DATE
①	初版发行	ARKINE	



NOTES:

1. Voltage Rating: 300V, Current Rating: 8A
2. PITCH: 5.08mm
3. Insulation Withstands Voltage: AC2500V/min
4. Insulation Resistance: 500MΩ or more at DC500V
5. Using Temperature Range: -40° C - +105° C
6. Suitable Electric Wire: 26-16AWG
7. Screw Torque Value: 0.4 N.m

技术要求:

1. 额定电压: 300V, 额定电流: 8A
2. 间距: 5.08mm
3. 耐电压值: AC 2500V/min
4. 绝缘阻抗: 5兆欧
5. 使用条件: -40° - +105°
6. 适用线规: 26-16AWG
7. 螺丝扭力: 0.4 N.m

	pitch dimension			Nominal dimension					— /
	over 0 to 6	over 6 to 10	over 10 to 24	over 0 to 30	over 30 to 60	over 60 to 100	over 100 to 150	— /	
variable range	0 to 6	6 to 10	10 to 24	0 to 30	30 to 60	60 to 100	100 to 150	— /	
Tolerance	±0.1	±0.15	±0.25	±0.2	±0.3	±0.5	±0.7	±1.0 0.05/10	

4.	LG127V-焊脚	2004B0001AV	P	黄铜	镀雾锡
3.	LG127-铜方块	F1A0BLG1273V	P	黄铜	镀镍
2.	LG127-螺丝 (M3*3.6)	SPOYA253701V	P	碳钢	三价铬钝化彩锌
1.	LG127-5.08-本体	2023A4YXXAV-P	1	PA66-V0	
NO.	NAME OF PART	NO. OF PART	Q' TY	MATERIAL	NOTES
DES.	ARKINE	DATE	2011/03/02	UNITS	MM
CHK.		DATE		SIZE	A4
APP.		DATE		SCALE	1:1
				THIRD ANGLE PROJECTION	SHEET
				DWG NO. SP-2-2004001	REV: V0
				TITLE	LG127V-5.08-XXP-1Y-00A
					LG127V-5.08-成品



上海联捷电气有限公司
Shanghai Elinker Electric C.O.,LTD