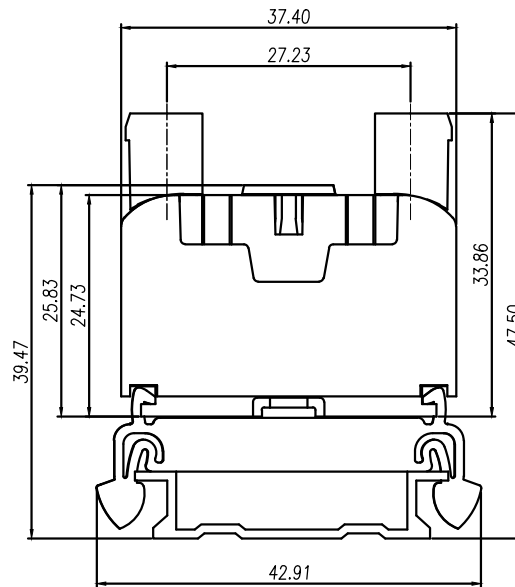
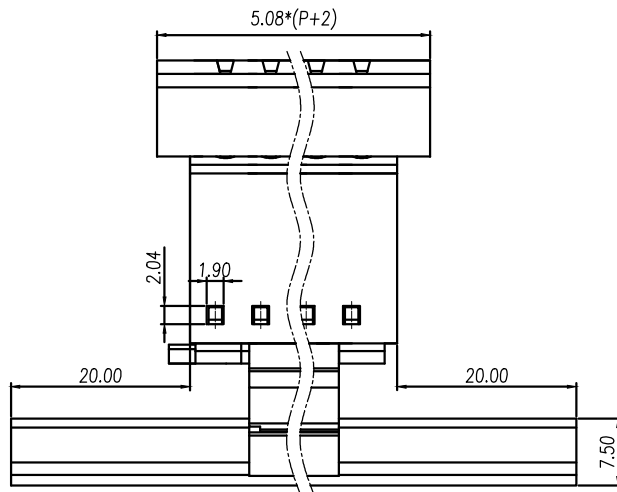
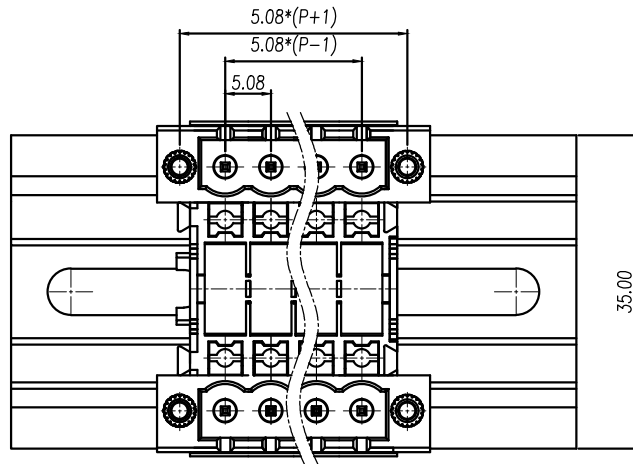


| REVISION | | RECORD | |
|----------|---------|--------|------|
| REV. | CONTENT | MOD. | DATE |
| △ | 初版发行 | | |



NOTES:

Pitch : 5.08mm
 Rated Voltage : 300V
 Rated Current : 15A
 Withstand Voltage :
 AC2500V for 1 minute
 Insulation Resistance :
 500MΩ / DC500V
 Using Temperature Range :
 - 40℃ ~ + 105℃

技术要求:

间距: 5.08mm
 额定电压: 300V
 额定电流: 15A
 耐电压值: AC2500V/min
 绝缘阻抗: 500MΩ/DC500V
 使用条件: -40℃~+105℃

| | pitch dimension | | | Nominal dimension | | | | | — ◇ ○ |
|----------------|-----------------|--------|---------|-------------------|---------|---------|----------|----------|-------------|
| | over 0 | over 6 | over 10 | over 0 | over 30 | over 60 | over 100 | over 150 | |
| variable range | to 6 | to 10 | to 24 | to 30 | to 60 | to 100 | to 150 | | |
| Tolerance | ±0.1 | ±0.15 | ±0.25 | ±0.2 | ±0.3 | ±0.5 | ±0.7 | ±1.0 | 0.05/10 |

| 11 | LZ1-耳朵螺母 | SMO0B250000V | 4 | 黄铜 | |
|---|--------------|---------------|----------|----------|------------------------|
| 10 | ZBD5-XXP标记号 | ZBD5-XXP | P/10 | PA66-V0 | |
| 9 | JHY1-DG-L/1米 | DG,JHYAL5200V | 1 | 铝 | |
| 8 | KJ-32卡脚 | 6TBJ400253V | 2 | PA66 | 绿色 |
| 7 | LD1-2.5-弹片 | 6LD1B0001AV | 2P | SUS301 | |
| 6 | LD1-2.5-导电件 | 6LD1B0002AV | P | 紫铜 | 镀雾锡 |
| 5 | LD1-2.5-按钮 | 6LD1A400204V | 2P | PBT | 橘黄 |
| 4 | LD1-2.5-XX壳体 | 6LD1C400203V | 1 | PA66-V0 | 绿色 |
| 3 | LD1-2.5-主体 | 6LD1A400203V | 1 | PA66-V0 | 绿色 |
| 2 | LZ3H-5.08-直针 | 1031B0002AV | 2P | 黄铜 | 镀雾锡 |
| 1 | LZ7M-5.08主体 | 1182MOYXXAV | 2 | PA66 | |
| NO. | NAME OF PART | NO. OF PART | Q' TY | MATERIAL | NOTES |
| DES. | Z JL | DATE | 2022/8/3 | UNITS | MM |
| CHK. | | DATE | | SIZE | A4 |
| APP. | | DATE | | SCALE | 1:1 |
| | | | | DWG NO. | SP-1153A01 |
| | | | | REV. | V0 |
|  上海联捷电气有限公司 Shanghai Elinker Electric CO., LTD | | | | TITLE | LD722K-5.08-XXP-1Y-00A |
| | | | | | LD722K-5.08-成品 |