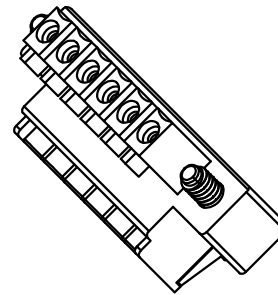
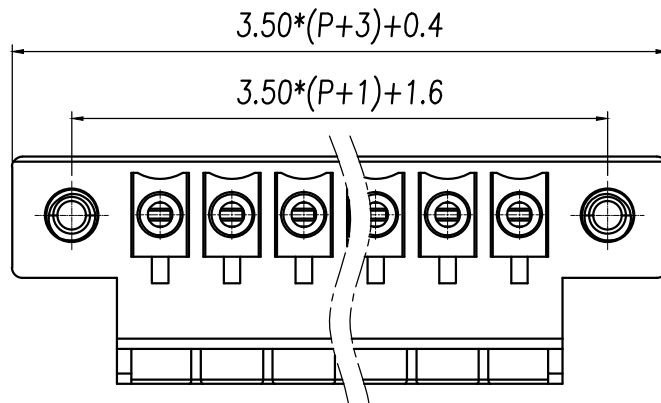
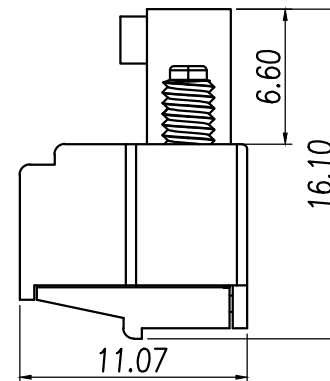
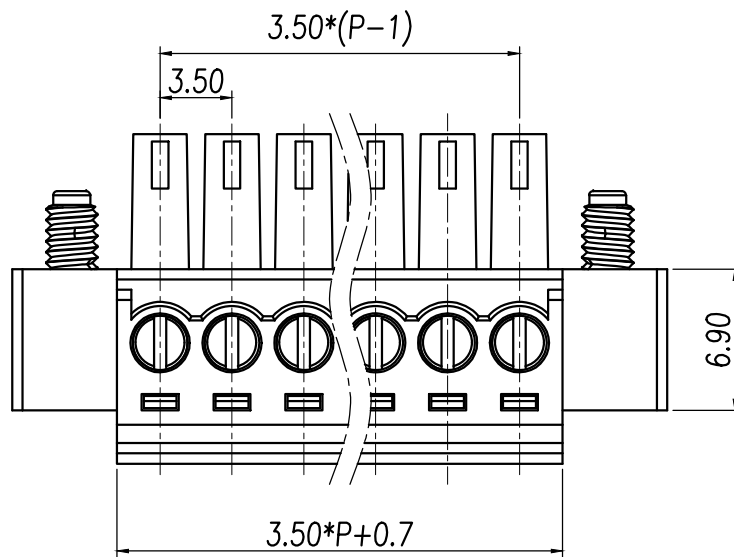


REVISION RECORD			
REV.	CONTENT	MOD.	DATE
△	初版发行		



NOTES:
 Pitch : 3.5mm
 Rated Voltage : 300V
 Rated Current : 8 A
 Withstand Voltage :
 AC2500V for 1 minute
 Insulation Resistance :
 500MΩ / DC500V
 Using Temperature Range :
 - 40℃ ~ + 105℃
 Wire range : 28~ 16AWG
 Screw Torque Value : 0.2Nm

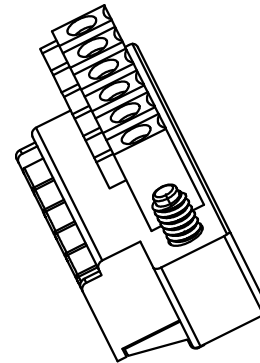
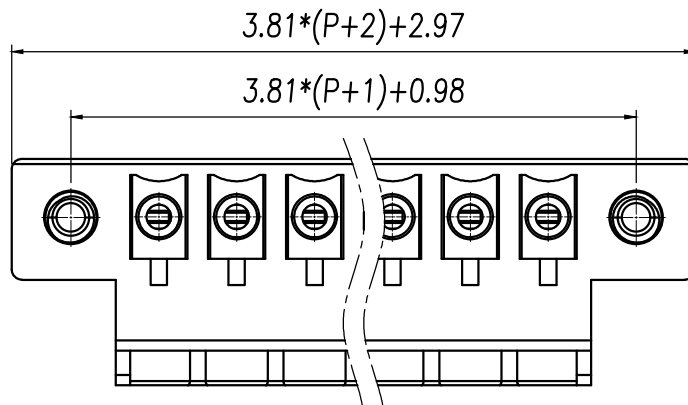


技术要求:
 间距: 3.5mm
 额定电压: 300V
 额定电流: 8A
 耐压值: AC2500V/min
 绝缘阻抗: 500MΩ/DC500V
 使用条件: -40℃~+105℃
 适用线规: 28~ 16AWG
 螺丝扭矩: 0.2Nm

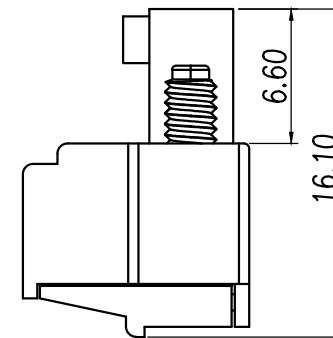
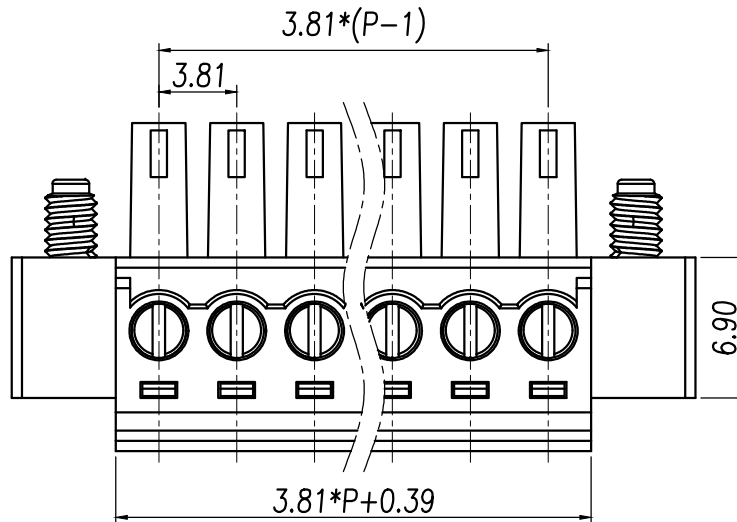
		linear dimension					—	≡	□	//	⊥	
variable range	to	over 6	over 30	over 50	over 100	over 150	all	to 5	to 30	to 120		
	to 6	to 30	to 50	to 100	to 150	to 200						
Tolerance		±0.03	±0.05	±0.1	±0.2	±0.25	±0.35	0.25%	±0.025	±0.06	±0.15	±0.3

6	LC1-耳朵螺丝	SPOYA255302V	2	碳钢	三价铬钝化彩锌
5	LC1-3.81-螺丝	SPOYA204801V	P	碳钢	蓝白锌
4	LC1X-5.08-夹子	1118B0001AV	P	磷青铜	镀镍
3	LC1-3.81-铜方块	F1A0BLC3813V	P	黄铜	镀镍
2	LC1-3.5-盖板	1021COYXXAV	1	PA66	
1	LC1XM-3.5-主体	1213MOYXXAV	1	PA66	
NO.	NAME OF PART	NO. OF PART	QTY	MATERIAL	NOTES
DES.	WYY	DATE	2022/12/02	UNITS	mm
CHK.		DATE		SIZE	A4
APP.		DATE		SCALE	DWG NO.
				SP-2-1118002	REV: V0
上海联捷电气有限公司 Shanghai Elinker Electric CO.,LTD				TITLE	LC1XM-3.5-XXP-1Y-00A LC1XM-3.5-成品

REVISION RECORD			
REV.	CONTENT	MOD.	DATE
△	初版发行		



NOTES:
 Pitch : 3.81mm
 Rated Voltage : 300V
 Rated Current : 8 A
 Withstand Voltage :
 AC2500V for 1 minute
 Insulation Resistance :
 500MΩ / DC500V
 Using Temperature Range :
 - 40℃ ~ + 105℃
 Wire range : 28~ 16AWG
 Screw Torque Value : 0.4Nm



技术要求:
 间距: 3.81mm
 额定电压: 300V
 额定电流: 8A
 耐电压值: AC2500V/min
 绝缘阻抗: 500MΩ/DC500V
 使用条件: -40℃ ~+105℃
 适用线规: 28~ 16AWG
 螺丝扭矩: 0.4Nm

variable range	linear dimension						—	≡	▱	//	⊥
	to 6	over 6 to 30	over 30 to 50	over 50 to 100	over 100 to 150	over 150 to 200					
Tolerance	±0.03	±0.05	±0.1	±0.2	±0.25	±0.35	0.25%	±0.025	±0.06	±0.15	±0.3

6	LC1-耳朵螺丝	SP0YA255302V	2	碳钢	三价铬钝化彩锌
5	LC1-3.81-螺丝	SP0YA204801V	P	碳钢	蓝白锌
4	LC1X-5.08-夹子	1118B0001AV	P	磷青铜	镀镍
3	LC1-3.81-铜方块	F1A0BLC3813V	P	黄铜	镀镍
2	LC1-3.81-盖板	1021COYXXAV	1	PA66	
1	LC1XM-3.81-主体	1213MOYXXAV	1	PA66	
NO.	NAME OF PART	NO. OF PART	QTY	MATERIAL	NOTES
DES.	WYY	DATE 2022/12/03	UNITS mm	THIRD ANGLE PROJECTION	
CHK.		DATE	SIZE A4		
APP.		DATE	SCALE	DWG NO. SP-2-1118002	REV: V0
上海联捷电气有限公司 Shanghai Elinker Electric CO.,LTD				TITLE	LC1XM-3.81-XXP-1Y-00A LC1XM-3.81-成品