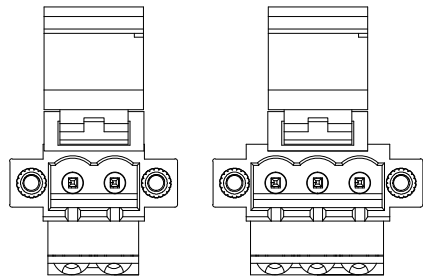


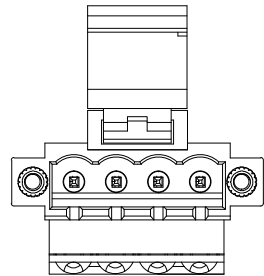
REVISION RECORD

REV.	CONTENT	MOD.	DATE
△0	初版发行		

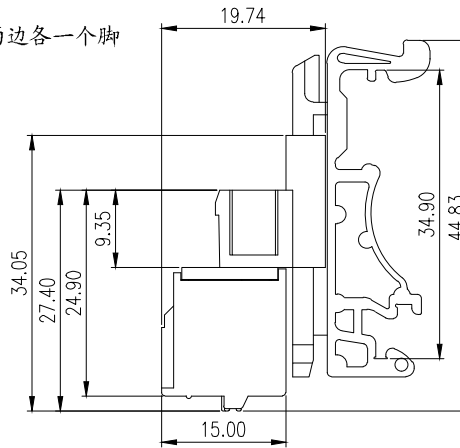
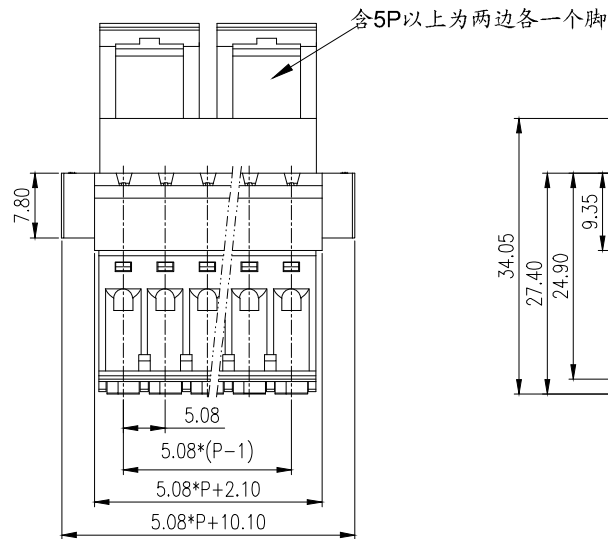
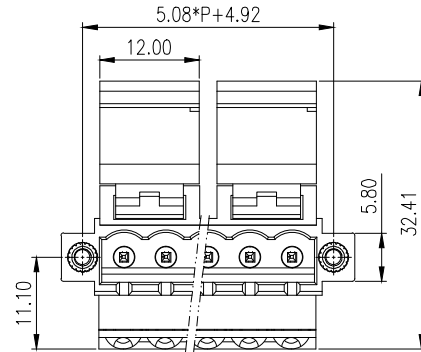


2P

3P



4P



NOTES1:

UL Standard:

1.Voltage Rating: 300V, Current Rating: 10A

IEC Standard:

1.Voltage Rating: 300V, Current Rating: 15A

NOTES2:

1.Pitch : 5.08mm

2.Withstand Voltage : AC2500V for 1 minute

3.Insulation Resistance : 500MΩ / DC500V

4.Using Temperature Range : - 40℃ ~ + 105℃

5.Suitable Electric Wire: 26-12AWG

技术要求1:

UL 标准:

1. 额定电压: 300V, 额定电流: 10A

IEC 标准:

1. 额定电压: 300V, 额定电流: 15A

技术要求2:

1. 间距: 5.08mm

2. 耐电压值: AC2500V/min

3. 绝缘阻抗: 500MΩ/DC500V

4. 使用条件: -40℃~+105℃

5. 适用线规: 26~12AWG

	pitch dimension			Nominal dimension					— □ ○
	over 0 to 6	over 6 to 10	over 10 to 24	over 0 to 30	over 30 to 60	over 60 to 100	over 100 to 150		
variable range	0 to 6	6 to 10	10 to 24	0 to 30	30 to 60	60 to 100	100 to 150		
Tolerance	±0.1	±0.15	±0.25	±0.2	±0.3	±0.5	±0.7	±1.0	0.05/10

7	LC16-脚	1045T0Y01AV	1-2	PA66	
6	LZ1-耳朵螺母	SM00B250000V	2	黄铜	
5	LC60-5.08五金件	2083B0001AV	P	磷青铜	镀锡
4	LC6-5.08-弹片	F2A0DLC658BV	P	不锈钢	
3	LC6-5.08-按钮	1020D0Y01AV	P	POM	
2	LC26UMG-5.08-盖板	2085N0YXXAV	1	PA66-V0	
1	LC6-5.08-本体	1020A0YXXAV	1	PA66-V0	
NO.	NAME OF PART	NO. OF PART	Q' TY	MATERIAL	NOTES
DES.	WY	DATE	2021/07/12	UNITS	MM
CHK.		DATE		SIZE	A4
APP.		DATE		SCALE	1:1
				DWG NO.	SP-2-208502
				REV:	V0
上海联捷电气有限公司 Shanghai Elinker Electric Co., LTD				TITLE	LC26UMG-5.08-XXP-1Y-00A
					LC26UMG-5.08-成品