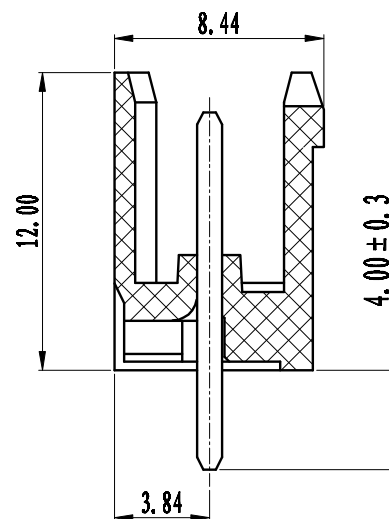
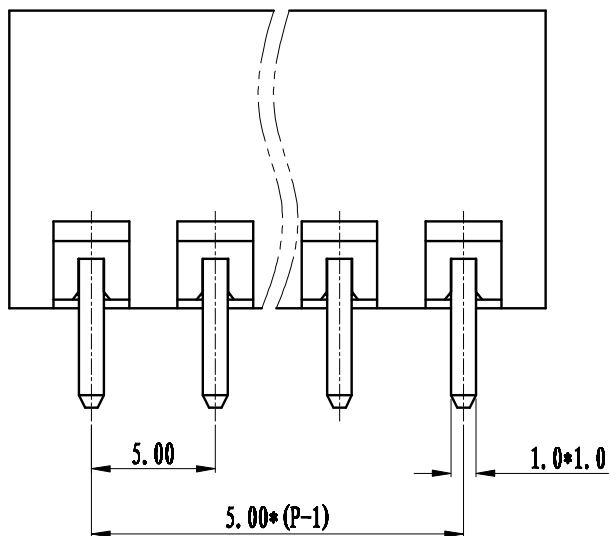
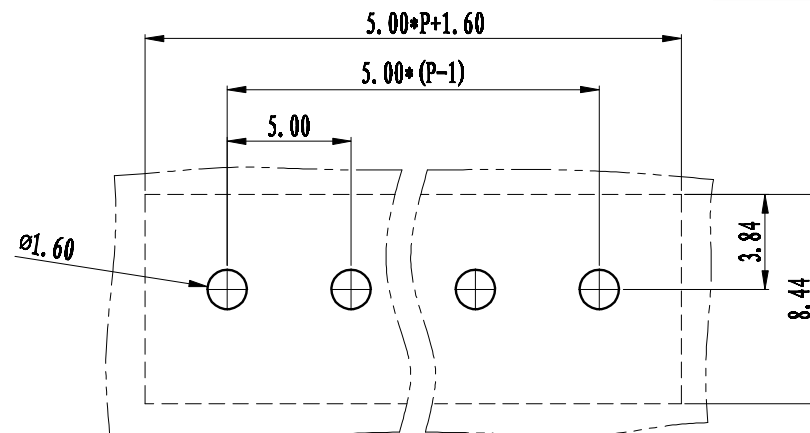
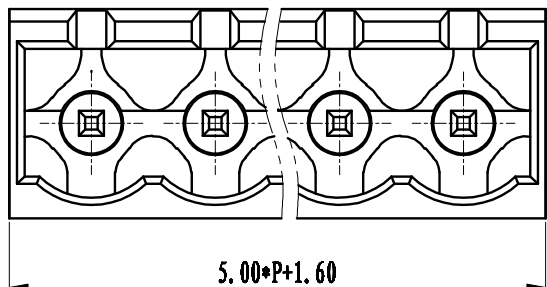


REVISION RECORD			
REV.	CONTENT	MOD.	DATE
△0	初版发行		



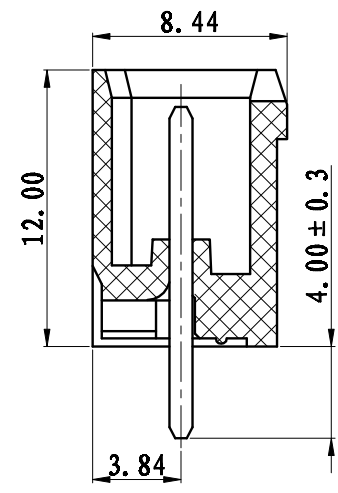
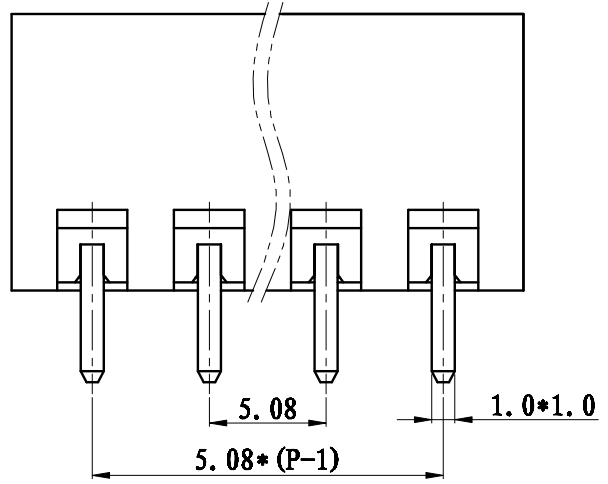
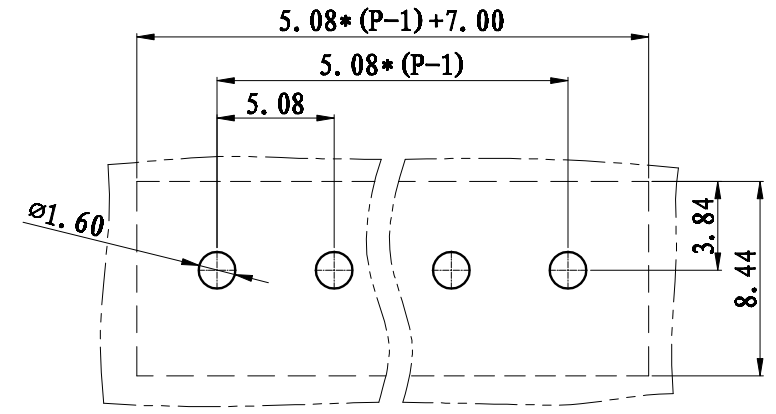
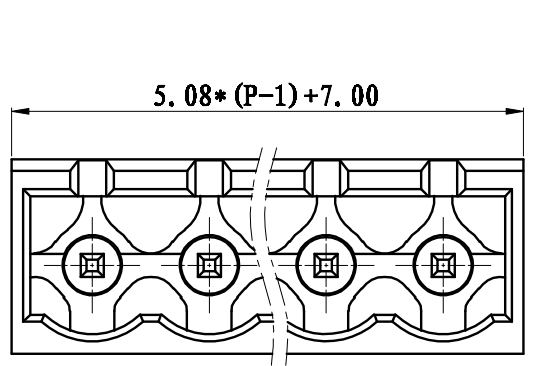
NOTES:
 Pitch : 5.0mm
 Rated Voltage : 300V
 Rated Current : 15A
 Withstand Voltage :
 AC2500V for 1 minute
 Insulation Resistance :
 5MΩ / DC500V
 Using Temperature Range :
 -40℃ ~ +105℃

技术要求:
 间距: 5.0mm
 额定电压: 300V
 额定电流: 15A
 耐电压值: AC2500V/min
 绝缘阻抗: 5MΩ/DC500V
 使用条件: -40℃~+105℃

	pitch dimension			Nominal dimension					— /
	over	over	over	over	over	over	over	over	
variable range	0 to 6	6 to 10	10 to 24	0 to 30	30 to 60	60 to 100	100 to 150	150 to	□ ○
Tolerance	±0.1	±0.15	±0.25	±0.2	±0.3	±0.5	±0.7	±1.0	0.05/10

2	LZ1-5.08-直针(1,2)	1015B0002AV	P	黄铜	镀雾锡
1	LZ1-5.0-本体	1041A0YXXAV	1	PA66	
NO.	NAME OF PART	NO. OF PART	Q'TY	MATERIAL	NOTES
DES.	XLM	DATE	2012/4/27	UNITS	MM
CHK.		DATE		SIZE	A4
APP.		DATE		SCALE	1:1
				DWG NO.	SP-2-1041001
				REV:	T0
上海联捷电气有限公司 Shanghai Elinker Electric Co., Ltd.				TITLE	LZ1V-5.0-XXP-1Y-00A
					LZ1V-5.0-成品

REVISION RECORD			
REV.	CONTENT	MOD.	DATE
△	初版发行		



NOTES:
 Pitch : 5.08mm
 Rated Voltage : 300V
 Rated Current : 15A
 Withstand Voltage :
 AC2500V for 1 minute
 Insulation Resistance :
 5MΩ / DC500V
 Using Temperature Range :
 - 40℃ ~ + 105℃

技术要求:
 间距: 5.08mm
 额定电压: 300V
 额定电流: 15A
 耐电压值: AC2500V/min
 绝缘阻抗: 5MΩ/DC500V
 使用条件: -40℃ ~ +105℃

	pitch dimension			Nominal dimension					— ◇ ○
	over to 6	over to 10	over to 24	over to 30	over to 60	over to 100	over to 150		
variable range	0	6	10	0	30	60	100	150	
Tolerance	±0.1	±0.15	±0.25	±0.2	±0.3	±0.5	±0.7	±1.0	0.05/10

2	LZ1-5.08-直针(1.2)	1015B0002AV	P	黄铜	镀雾锡
1	LZ1-5.08-本体	1015A07XIAV	1	PA66	
NO.	NAME OF PART	NO. OF PART	Q'TY	MATERIAL	NOTES
DES.	ARKINE	DATE	2010/5/20	UNITS	MM
CHK.		DATE		SIZE	A4
APP.		DATE		SCALE	1:1
				DWG NO.	SP-1-1015001
				REV:	T0
上海联捷电气有限公司 Shanghai Bliker Electric C.O.,LTD				TITLE	LZ1V-5.08-XP-1Y-00A
					LZ1V-5.08-成品