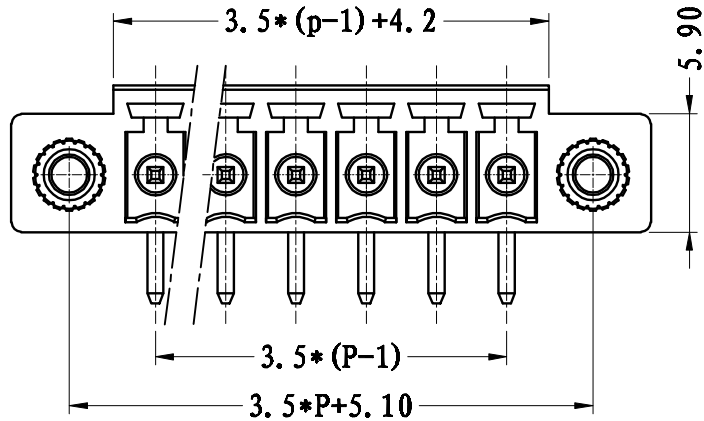
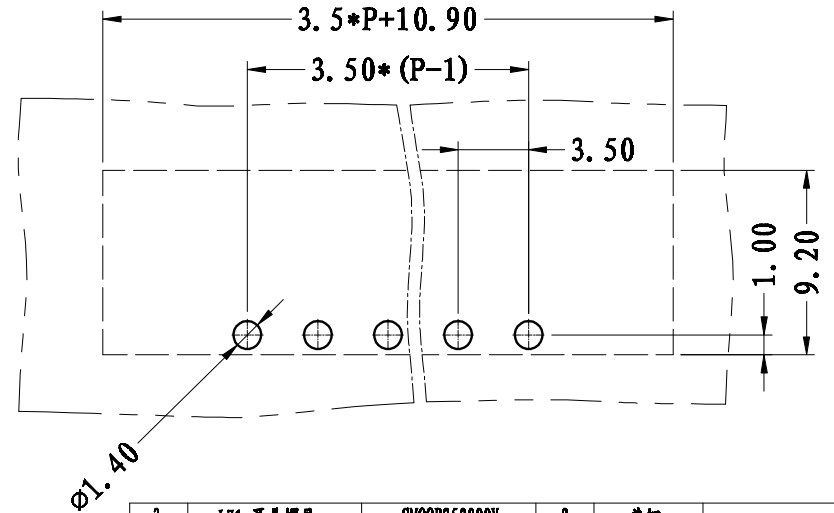
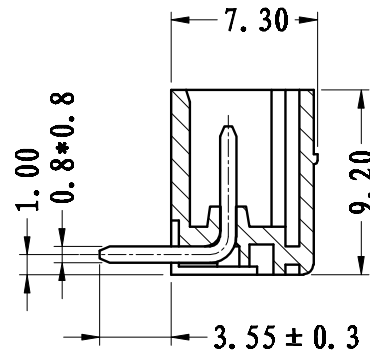
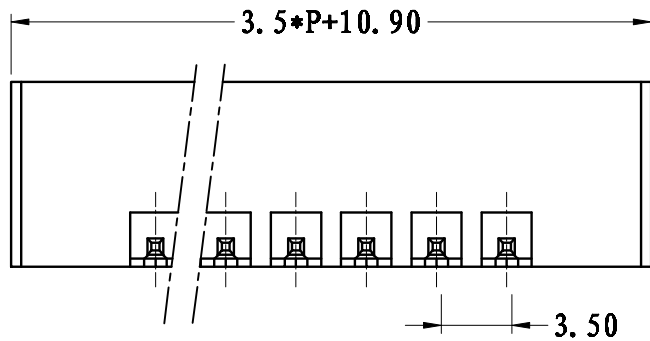


REVISION RECORD			
REV.	CONTENT	MOD.	DATE
△0	新发行		



NOTES:
 Pitch : 3.5mm
 Rated Voltage : 300V
 Rated Current : 8 A
 Withstand Voltage :
 AC2500V for 1 minute
 Insulation Resistance :
 5MΩ / DC500V
 Using Temperature Range :
 -40℃ ~ +105℃

技术要求:
 间距: 3.5mm
 额定电压: 300V
 额定电流: 8A
 耐电压值: AC2500V/min
 绝缘阻抗: 5MΩ/DC500V
 使用条件: -40℃~+105℃

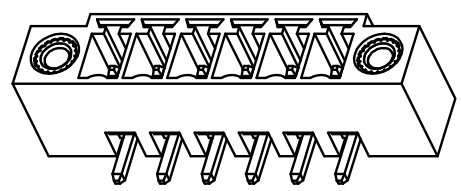
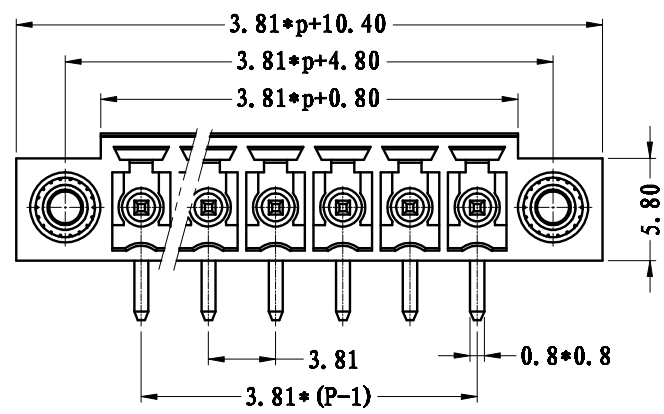


variable range	pitch dimension			Nominal dimension					— □ ○
	over 0 to 6	over 6 to 10	over 10 to 24	over 0 to 30	over 30 to 60	over 60 to 100	over 100 to 150	over 150	
Tolerance	±0.1	±0.15	±0.25	±0.2	±0.3	±0.5	±0.7	±1.0	0.05/10

3	LZ1-耳朵螺母	SM00B250000V	2	黄铜	
2	LZ1-3.81-弯针	1003B0002AV	P	黄铜	镀雾锡
1	LZ1M-3.5-本体	1025M0YXXAV	1	PA66	
NO.	NAME OF PART	NO. OF PART	QTY	MATERIAL	NOTES
DES.	ARKINE	DATE	11-07-05	UNITS	MM
CHK.		DATE		SIZE	A4
APP.		DATE		SCALE	1:1
				DWG NO.	SP-1-1025003
				TITLE	LZ1M-3.5-XP-1Y-00A
					LZ1M-3.5-成品

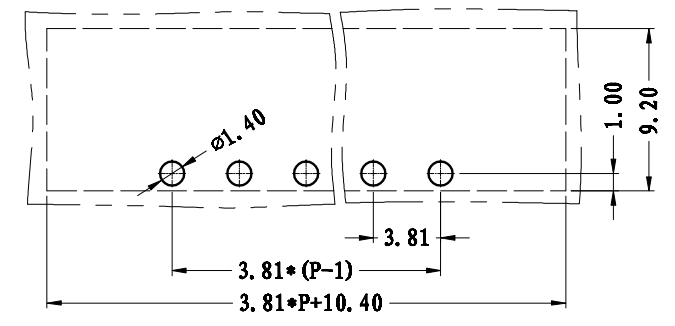
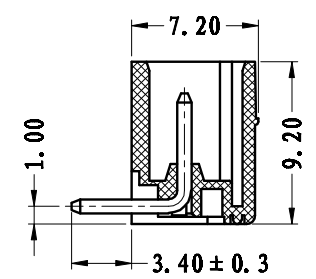
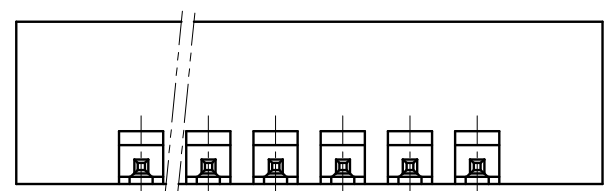
上海联捷电气有限公司
 Shanghai Blinker Electric C.O.,LTD

REVISION		RECORD	
REV.	CONTENT	MOD.	DATE
△	初版发行		



NOTES:
 Pitch: 3.81mm
 Rated Voltage: 300V
 Rated Current: 8 A
 Withstand Voltage:
 AC2500V for 1 minute
 Insulation Resistance:
 500MQ / DC500V
 Using Temperature Range:
 -40°C ~ +105°C

技术要求:
 间距: 3.81mm
 额定电压: 300V
 额定电流: 8A
 耐电压值: AC2500V/min
 绝缘阻抗: 500MQ/DC500V
 使用条件: -40°C~+105°C



	pitch dimension			Nominal dimension					— ▭ ○
	over	over	over	over	over	over	over	over	
variable range	0 to 6	6 to 10	10 to 24	0 to 30	30 to 60	60 to 100	100 to 150		
Tolerance	±0.1	±0.15	±0.25	±0.2	±0.3	±0.5	±0.7	±1.0	0.05/10

3	LZ1-耳朵螺母	SMO0B25000V	2	黄铜	
2	LZ1-3.81-弯针	1003B0002AV	P	黄铜	镀雾锡
1	LZ1M-3.81-本体	1003M0YXXAV	1	PA66	
NO.	NAME OF PART	NO. OF PART	Q'TY	MATERIAL	NOTES
DES.	ARKINE	DATE	2010/7/21	UNITS	MM
CHK.		DATE		SIZE	A4
APP.		DATE		SCALE	1:1
				DWG NO.	SP-2-1003001
				REV.	V0
上海联捷电气有限公司 Shanghai Blinker Electric C.O.,LTD				TITLE	LZ1RM-3.81-XXP-1Y-00A LZ1RM-3.81-成品