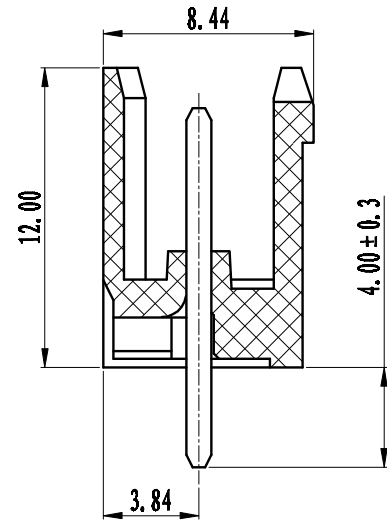
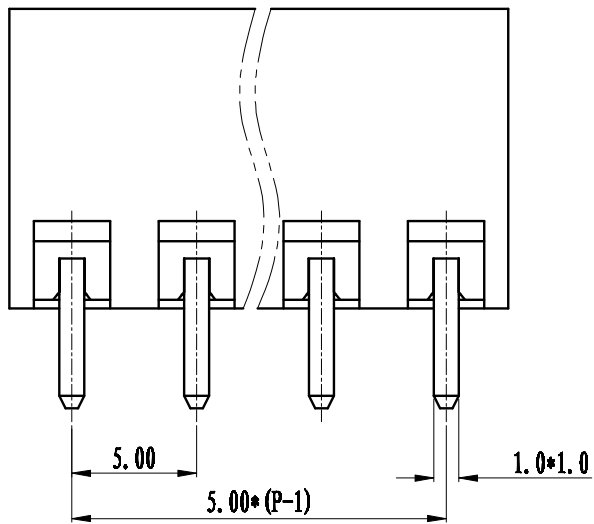
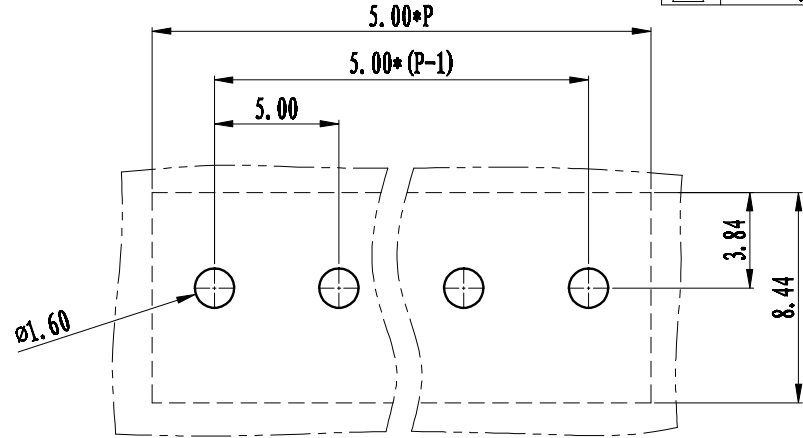
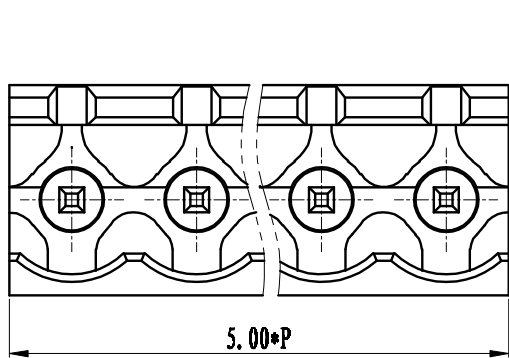


REVISION RECORD			
REV.	CONTENT	MOD.	DATE
①	初版发行		



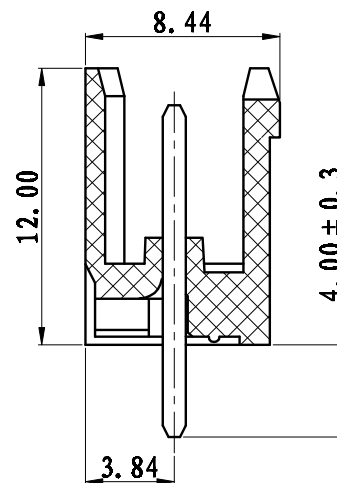
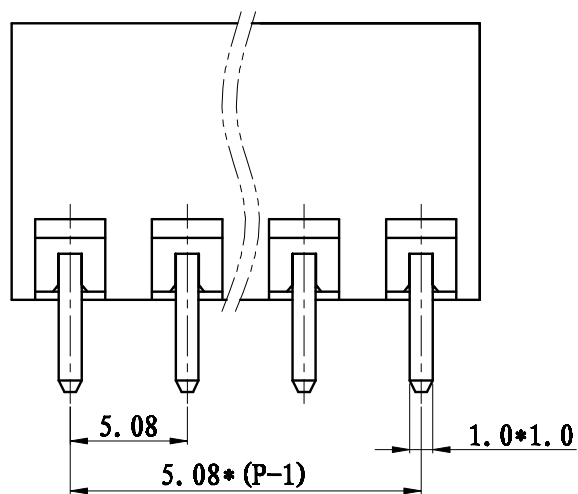
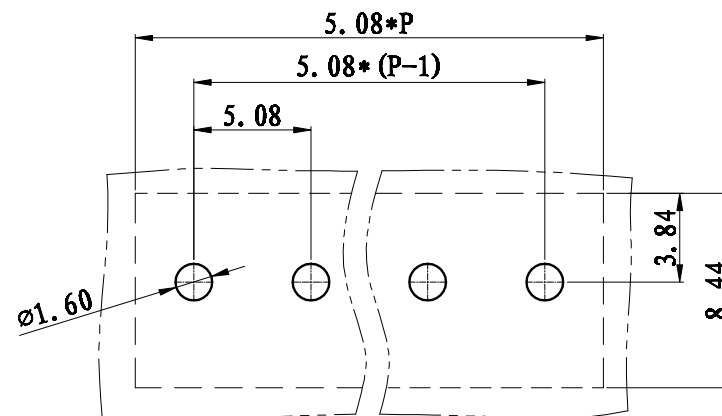
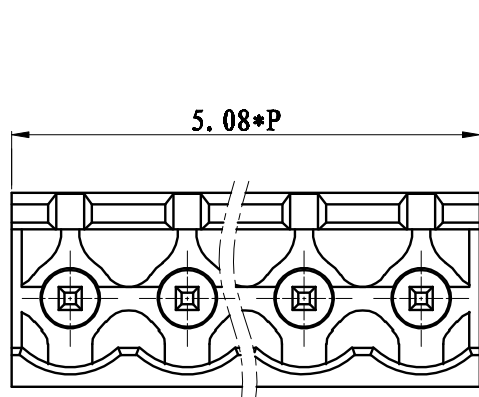
NOTES:
 Pitch: 5.0mm
 Rated Voltage: 300V
 Rated Current: 15A
 Withstand Voltage:
 AC2500V for 1 minute
 Insulation Resistance:
 5MΩ / DC500V
 Using Temperature Range:
 -40°C ~ +105°C

技术要求:
 间距: 5.0mm
 额定电压: 300V
 额定电流: 15A
 耐受电压: AC2500V/min
 绝缘阻抗: 5MΩ/DC500V
 使用条件: -40°C~+105°C

	pitch dimension			Nominal dimension					— /
	over 0	over 6	over 10	over 0	over 30	over 60	over 100	over 150	
variable range	to 6	to 10	to 24	to 30	to 60	to 100	to 150		
Tolerance	±0.1	±0.15	±0.25	±0.2	±0.3	±0.5	±0.7	±1.0	0.05/10

2	LZ1-5.08-直针(1.2)	1015B0002AV	P	黄铜	镀雾锡
1	LZ1K-5.0-本体	1041K0YXXAV	1	PA66	
NO.	NAME OF PART	NO. OF PART	Q'TY	MATERIAL	NOTES
DES.	XLM	DATE	2012/4/27	UNITS	MM
CHK.		DATE		SIZE	A4
APP.		DATE		SCALE	1:1
				DWG NO.	SP-1-1041005
				REV:	T0
上海联捷电气有限公司 Shanghai Elinker Electric CO., LTD				TITLE	LZ1VK-5.0-XXP-1Y-00A
					LZ1VK-5.0-成品

REVISION RECORD			
REV.	CONTENT	MOD.	DATE
△0	初版发行		



NOTES:
 Pitch : 5.08mm
 Rated Voltage : 300V
 Rated Current : 15A
 Withstand Voltage :
 AC2500V for 1 minute
 Insulation Resistance :
 5MΩ / DC500V
 Using Temperature Range :
 - 40℃ ~ + 105℃

技术要求:
 间距: 5.08mm
 额定电压: 300V
 额定电流: 15A
 耐电压值: AC2500V/min
 绝缘阻抗: 5MΩ/DC500V
 使用条件: -40℃~+105℃

	pitch dimension			Nominal dimension					—
	over	over	over	over	over	over	over	over	
variable range	0	6	10	0	30	60	100	150	□
	to	to	to	to	to	to	to		○
	6	10	24	30	60	100	150		
Tolerance	±0.1	±0.15	±0.25	±0.2	±0.3	±0.5	±0.7	±1.0	0.05/10

2	LZ1-5.08-直针(1.2)	1015B0002AV	P	黄铜	镀锡
1	LZ1K-5.08-本体	1015K0YXXAV	1	PA66	
NO.	NAME OF PART	NO. OF PART	Q'TY	MATERIAL	NOTES
DES.	ARKINE	DATE	2010/5/20	UNITS	MM
CHK.		DATE		SIZE	A4
APP.		DATE		SCALE	1:1
				DWG NO.	SP-2-1015005
				REV: T0	
				TITLE	LZ1VK-5.08-XP-1Y-00A
					LZ1VK-5.08-成品

上海联捷电气有限公司
 Shanghai Bliker Electric C.O,LTD