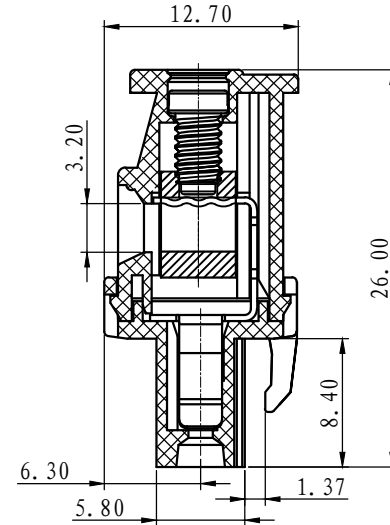
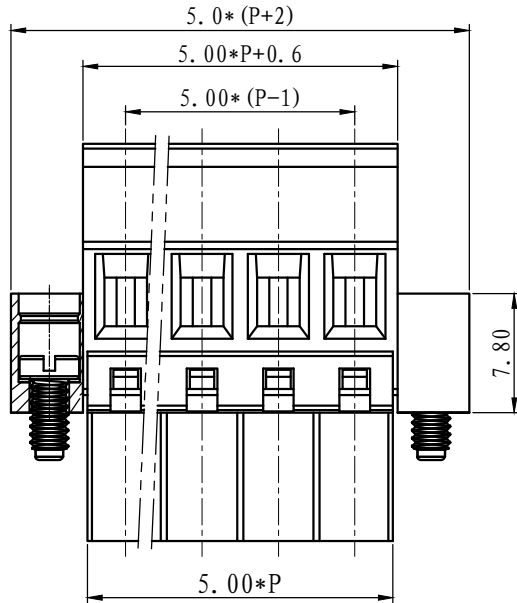
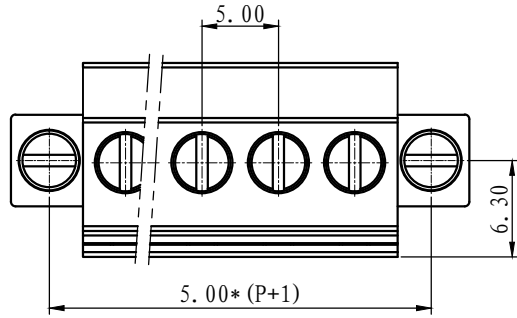


REVISION RECORD			
REV.	CONTENT	MOD.	DATE
△	初版发行		



NOTES:

1. Voltage Rating: 300V, Current Rating: 15A
2. PITCH: 5.0mm
3. Insulation Withstands Voltage: AC2500V/min
4. Insulation Resistance: 500MΩ or more at DC500V
5. Using Temperature Range: -40° C - +105° C
6. Suitable Electric Wire: 30-12AWG
7. Screw Torque Value: 0.5 N.m

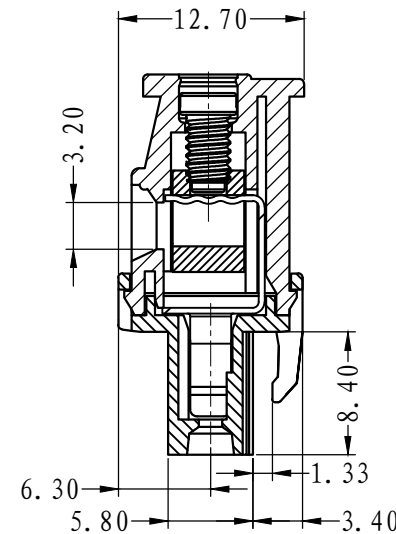
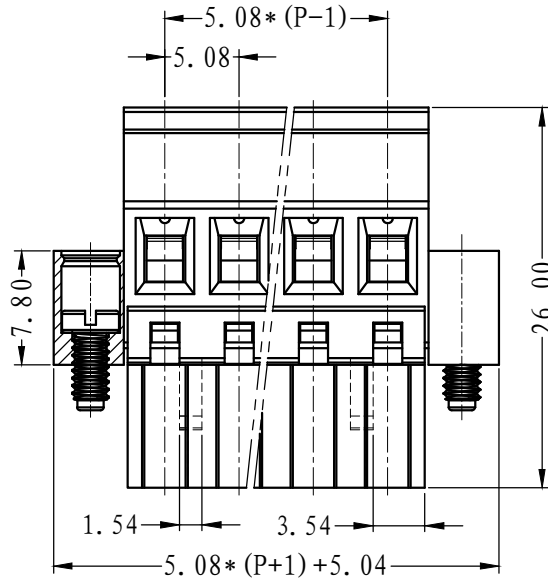
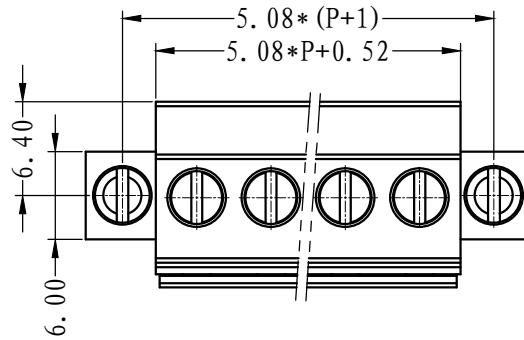
技术要求:

1. 额定电压: 300V, 额定电流: 15A
2. 间距: 5.0mm
3. 耐电压值: AC 2500V/min
4. 绝缘阻抗: 500兆欧
5. 使用条件: -40° - +105°
6. 适用线规: 30-12AWG
7. 螺丝扭力: 0.5 N.m

	pitch dimension			Nominal dimension					—
	over 0	over 6	over 10	over 0	over 30	over 60	over 100	over 150	
variable range	to 6	to 10	to 24	to 30	to 60	to 100	to 150		▱
									⌒
Tolerance	±0.1	±0.15	±0.25	±0.2	±0.3	±0.5	±0.7	±1.0	0.05/10

6	LC1-耳朵螺丝	SPOYA25S301V	2	碳钢	三价铬钝化彩锌
5	LC1-5.08-螺丝	SPOYB30S503V	P	碳钢	三价铬钝化彩锌
4	LC1-5.08-铜方块	F1A0BLC5083V	P	黄铜	镀镍
3	LC2-5.08-夹子	1006B0001AV	P	磷青铜	镀镍
2	LC2-5.0-盖子	1124C0YXXAV	1	PA66-V0	
1	LC2M-5.0-本体	1124M0YXXAV	1	PA66-V0	
NO.	NAME OF PART	NO. OF PART	Q' TY	MATERIAL	NOTES
DES.	LDD	DATE	2014/07/10	UNITS	MM
CHK.		DATE		SIZE	A4
APP.		DATE		SCALE	1:1
				DWG NO.	SP-1-1124M001
				REV:	V0
				TITLE	LC2BM-5.0-XXP-1Y-00A
					LC2BM-5.0-成品

REVISION RECORD			
REV.	CONTENT	MOD.	DATE
△	初版发行		



NOTES:

1. Voltage Rating: 300V, Current Rating: 15A
2. PITCH: 5.08mm
3. Insulation Withstands Voltage: AC2500V/min
4. Insulation Resistance: 500MΩ or more at DC1000V
5. Using Temperature Range: -40° C - +105° C
6. Suitable Electric Wire: 30-12AWG
7. Screw Torque Value: 0.5N.m以上

技术要求:

1. 额定电压: 300V, 额定电流: 15A
2. 间距: 5.08mm
3. 耐电压值: AC 2500V/min
4. 绝缘阻抗: 500兆欧
5. 使用条件: -40° - +105°
6. 适用线规: 30-12AWG
7. 螺丝扭力: 0.5N.m以上

	pitch dimension			Nominal dimension					— /
	over 0	over 6	over 10	over 0	over 30	over 60	over 100	over 150	
variable range	to 6	to 10	to 24	to 30	to 60	to 100	to 150		□ ○
Tolerance	±0.1	±0.15	±0.25	±0.2	±0.3	±0.5	±0.7	±1.0	0.05/10

6.	LC1-耳朵螺丝	SP0YA255301V	2	碳钢	三价铬钝化彩锌
5.	LC1-5.08-螺丝	SP0YB305503V	P	碳钢	三价铬钝化彩锌
4.	LC2-5.08-夹子	1006B0001AV	P	磷青铜	镀镍
3.	LC1-5.08-铜方块	F1A0BLC5083V	P	黄铜	镀镍
2.	LC2-5.08-盖子	1006COYXXAV	1	PA66-V0	
1.	LC2M-5.08-主体	1006MOYXXAV	1	PA66-V0	
NO.	NAME OF PART	NO. OF PART	Q'TY	MATERIAL	NOTES
DES.	ARKINE	DATE	2010/10/12	UNITS	MM
CHK.		DATE		SIZE	A4
APP.		DATE		SCALE	1:1
				DWG NO.	SP-2-1006004
				REV:	V0
<b>上海联捷电气有限公司</b> Shanghai Elinker Electric Co., Ltd				TITLE	LCBM-5.08-XXP-1Y-00A LC2BM-5.08-成品