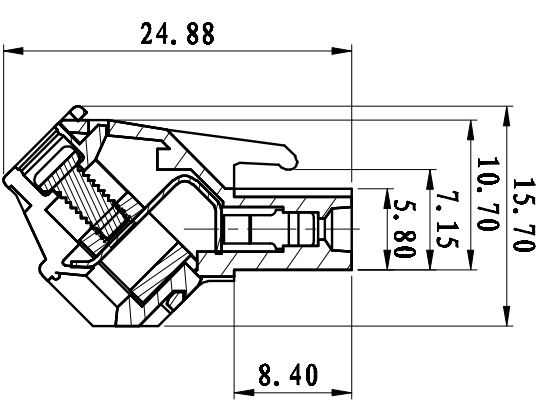
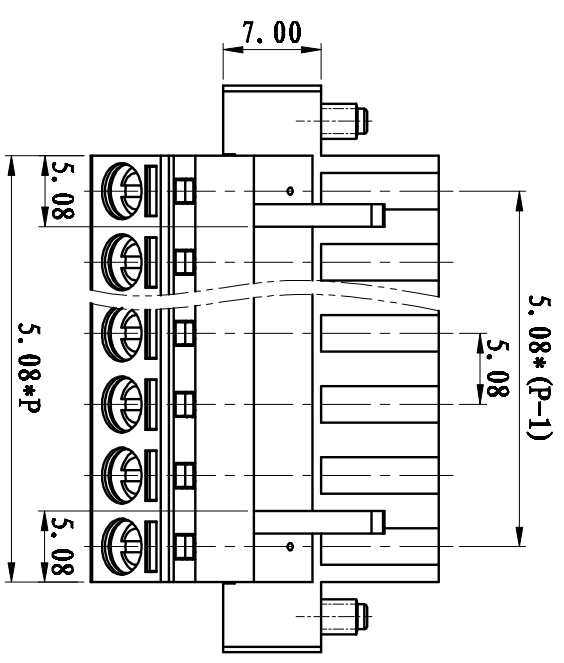
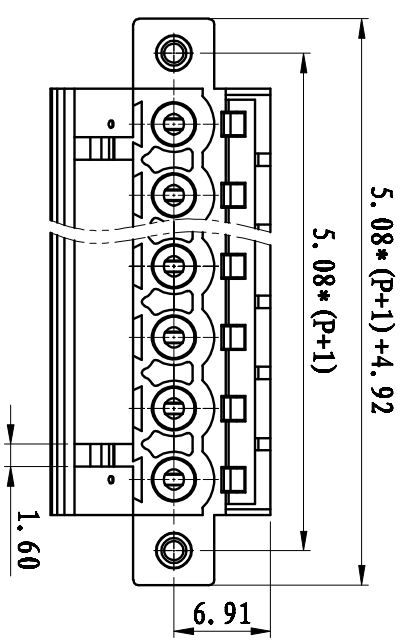
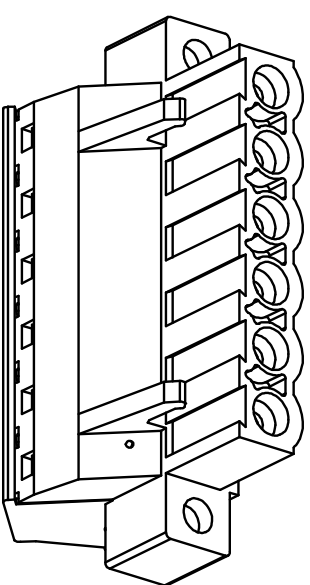


REVISION RECORD			
REV.	CONTENT	MOD.	DATE
①	新发行		



NOTES:
 Pitch : 5.08 mm
 Rated Voltage : 300 V
 Rated Current : 15 A
 Withstand Voltage :
 AC2500V for 1 minute
 Insulation Resistance :
 500MΩ / DC500V
 Using Temperature Range :
 -40℃ ~ +105℃
 Wire range : 24~12 AWG
 Screw Torque Value :
 0.4 N.m


技术要求:
 间距: 5.08mm
 额定电压: 300V
 额定电流: 15A
 耐电压值: AC2500V/min
 绝缘阻抗: 500MΩ/DC500V
 使用条件: -40℃~+105℃
 适用线规: 24~12AWG
 螺丝扭矩: 0.4N.m

pitch dimension	Nominal dimension									
	over	over	over	over	over	over	over	over	over	over
variable range	0 to 6	6 to 10	10 to 24	0 to 30	30 to 60	60 to 100	100 to 150	150 to 150		
Tolerance	±0.1	±0.15	±0.25	±0.2	±0.3	±0.5	±0.7	±1.0	0.05/10	

6	LC-耳朵螺丝	SP07A255101Y	2	碳钢	镀锌	
5	LC3-5.08-螺丝	SP07A256451Y	P	碳钢	镀锌	
4	LG128-铜方块	F1A08L61283Y	P	黄铜	镀锌	
3	LC4-5.08-夹子	1026B0001AY	P	黄铜	镀锌	
2	LC4M-5.08-盖子	1026A07XXAY	1	PA66	UV94, V-0	
1	LC4-5.08-主体	1026A07XXAY	1	PA66	UV94, V-0	

NO.	NAME OF PART	NO. OF PART	QTY	MATERIAL	NOTES
DES.	artline	DATE	2011/10/23	UNITS	mm
CHK.		DATE		SIZE	A4
APP.		DATE		SCALE	

DWG NO.	THIRD ANGLE PROJECTION	SHEET
LC4M-5.08-XP-1Y-00A	SP-1-1026A01	1 of 1


上海联捷电气有限公司
 Shanghai Elinker Electric CO., LTD

TITLE

LC4M-5.08-XP-1Y-00A