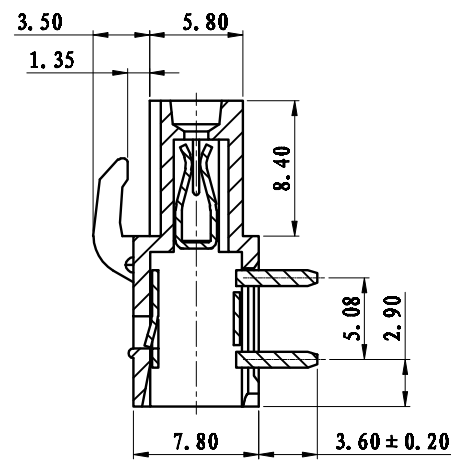
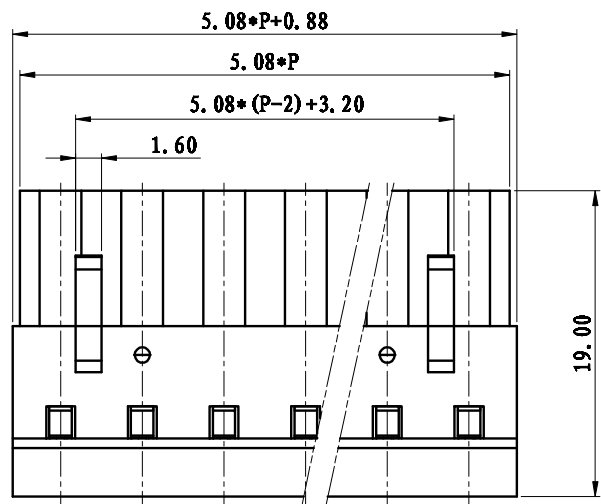
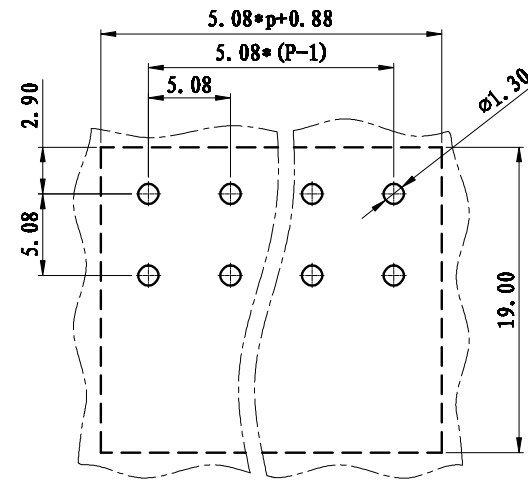
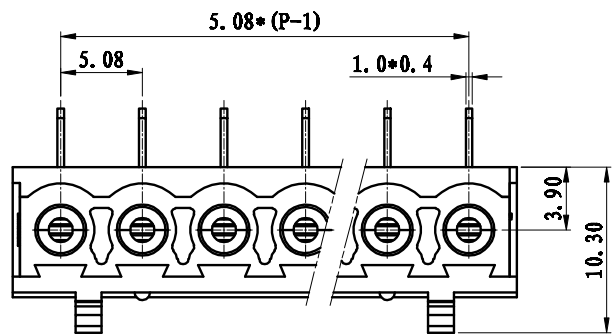


REVISION RECORD			
REV.	CONTENT	MOD.	DATE
①	新发行		



**NOTES:**

1. Voltage Rating: 300V, Current Rating: 12A
2. PITCH: 5.08mm
3. Insulation Withstands Voltage: AC2500V/min
4. Insulation Resistance: 500MΩ or more at DC500V
5. Using Temperature Range: -40° C - +105° C

**技术要求:**

1. 额定电压: 300V, 额定电流: 12A
2. 间距: 5.08mm
3. 耐电压值: AC 2500V/min
4. 绝缘阻抗500兆欧
5. 使用条件: -40° - +105°

	pitch dimension			Nominal dimension					— ◇ ○
	over	over	over	over	over	over	over	over	
variable range	0 to 6	6 to 10	10 to 24	0 to 30	30 to 60	60 to 100	100 to 150	150 to	
Tolerance	±0.1	±0.15	±0.25	±0.2	±0.3	±0.5	±0.7	±1.0	0.05/10

2	LC12R-5.08-焊脚	1024B0002AV	P	磷青铜	镀锡
1	LC12-5.08-主体	1024A0YXXAV	1	PA66	
NO.	NAME OF PART	NO. OF PART	Q'TY	MATERIAL	NOTES
DES.	ARKINE	DATE	11-05-10	UNITS	MM
CHK.		DATE		SIZE	A4
APP.		DATE		SCALE	1: 1
				DWG NO.	SP-2-1024002
				REV:	V0
				TITLE	LC12R-5.08-XXP-1Y-00A
					LC12R-5.08-成品

