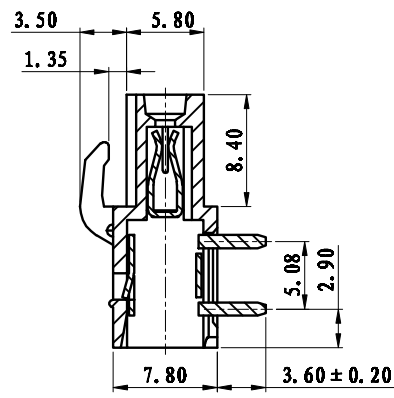
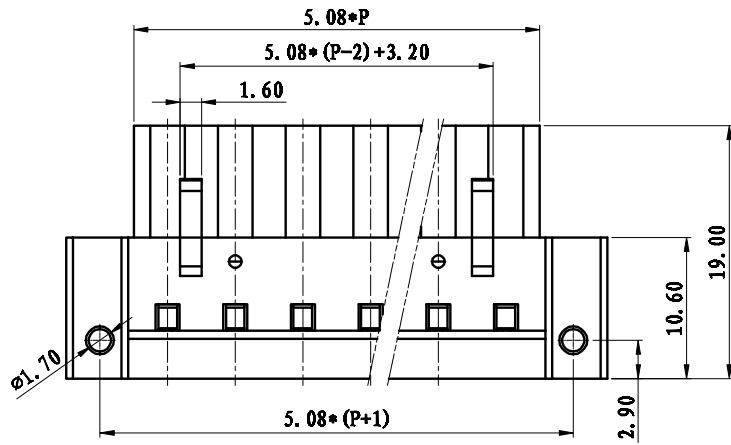
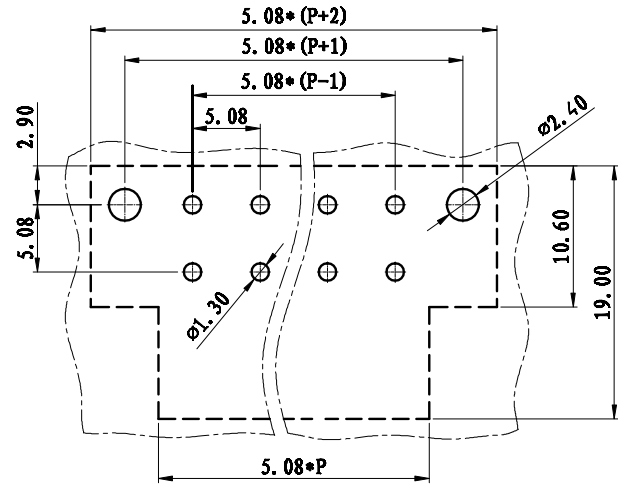
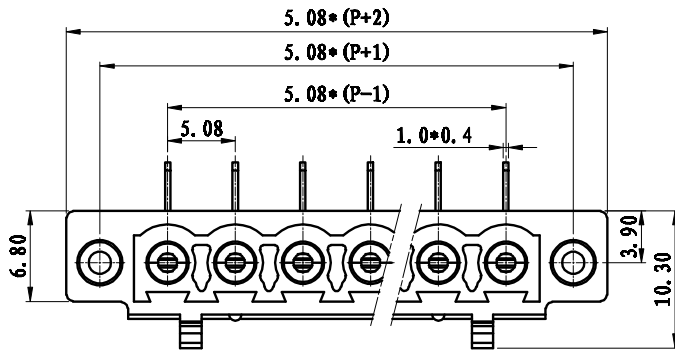


REVISION RECORD			
REV.	CONTENT	MOD.	DATE
0	新发行		



NOTES:

1. Voltage Rating: 300V, Current Rating: 12A
2. PITCH: 5.08mm
3. Insulation Withstands Voltage: AC2500V/min
4. Insulation Resistance: 500MΩ or more at DC500V
5. Using Temperature Range: -40° C - +105° C

技术要求:

1. 额定电压: 300V, 额定电流: 12A
2. 间距: 5.08mm
3. 耐电压值: AC 2500V/min
4. 绝缘阻抗500兆欧
5. 使用条件: -40° - +105°

	pitch dimension			Nominal dimension					— /
	over 0	over 6	over 10	over 0	over 30	over 60	over 100	over 150	
variable range	to 6	to 10	to 24	to 30	to 60	to 100	to 150		□
Tolerance	±0.1	±0.15	±0.25	±0.2	±0.3	±0.5	±0.7	±1.0	0.05/10

3	LZ1-耳朵螺母	SM00B250000V	2	黄铜	—
2	LC12R-5.08-焊脚	1024B0002AV	P	磷青铜	镀雾锡
1	LC12M-5.08-主体	1024M0YXXAV	1	PA66	
NO.	NAME OF PART	NO. OF PART	Q'TY	MATERIAL	NOTES
DES.	ARKINE	DATE	11-05-10	UNITS	MM
CHK.		DATE		SIZE	A4
APP.		DATE		SCALE	1: 1
				DWG NO.	SP-2-1024002
				REV:	V0
上海联捷电气有限公司 Shanghai Blinker Electric C.O.,LTD				TITLE	LC12RM-5.08-XXP-1Y-00A
					LC12RM-5.08-成品