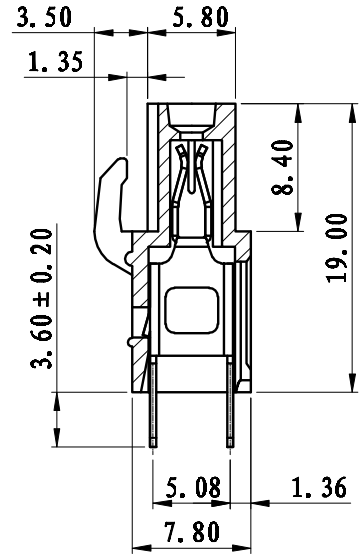
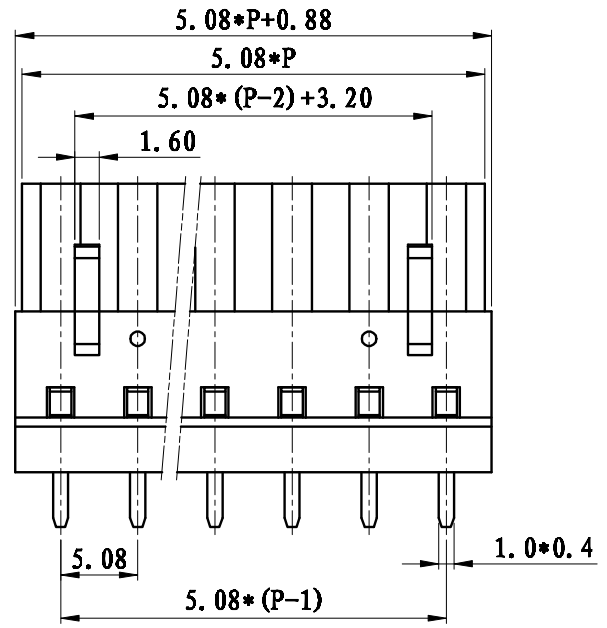
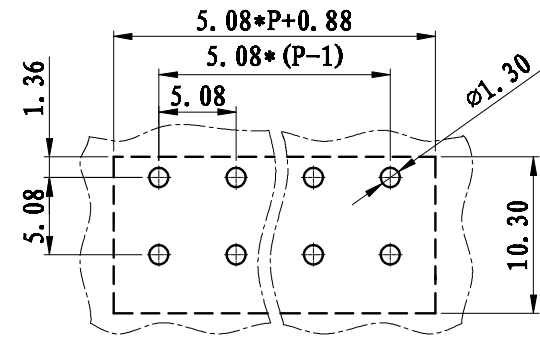
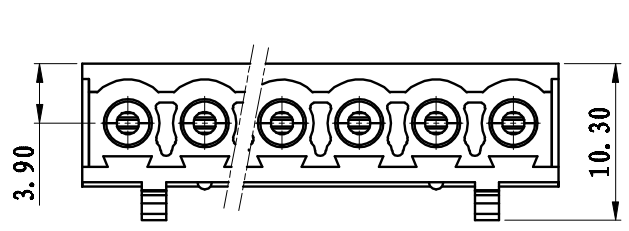


REVISION RECORD			
REV.	CONTENT	MOD.	DATE
△0	新发行		



- NOTES:
1. Voltage Rating: 300V, Current Rating: 12A
 2. PITCH: 5.08mm
 3. Insulation Withstands Voltage: AC2500V/min
 4. Insulation Resistance: 500MΩ or more at DC500V
 5. Using Temperature Range: -40° C ~ +105° C

- 技术要求:
1. 额定电压: 300V, 额定电流: 12A
 2. 间距: 5.08mm
 3. 耐电压值: AC 2500V/min
 4. 绝缘阻抗500兆欧
 5. 使用条件: -40° ~ +105°

	pitch dimension			Nominal dimension					—
	over 0	over 6	over 10	over 0	over 30	over 60	over 100	over 150	
variable range	to 6	to 10	to 24	to 30	to 60	to 100	to 150		▱
Tolerance	±0.1	±0.15	±0.25	±0.2	±0.3	±0.5	±0.7	±1.0	0.05/10

2	LC12V-5.08-焊脚	1024B0001AV	P	磷青铜	镀镍
1	LC12-5.08-主体	1024A0YXXAV	1	PA66	
NO.	NAME OF PART	NO. OF PART	Q'TY	MATERIAL	NOTES
DES.	ARKINE	DATE	11-05-10	UNITS	MM
CHK.		DATE		SIZE	A4
APP.		DATE		SCALE	1: 1
				DWG NO.	SP-2-1024001
				TITLE	LC12V-5.08-XXP-1Y-00A
					LC12V-5.08-成品


上海联捷电气有限公司
 Shanghai Blinker Electric C.O., LTD