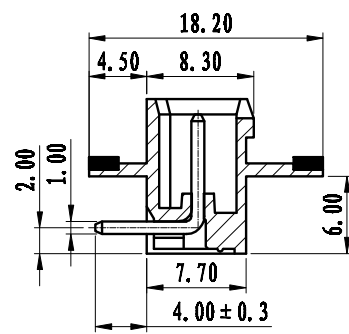
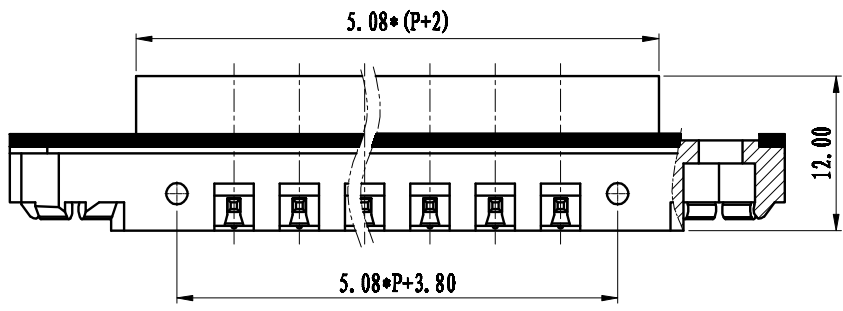
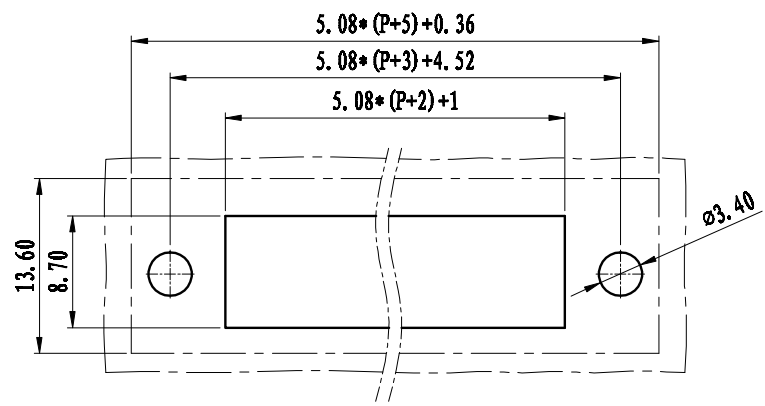
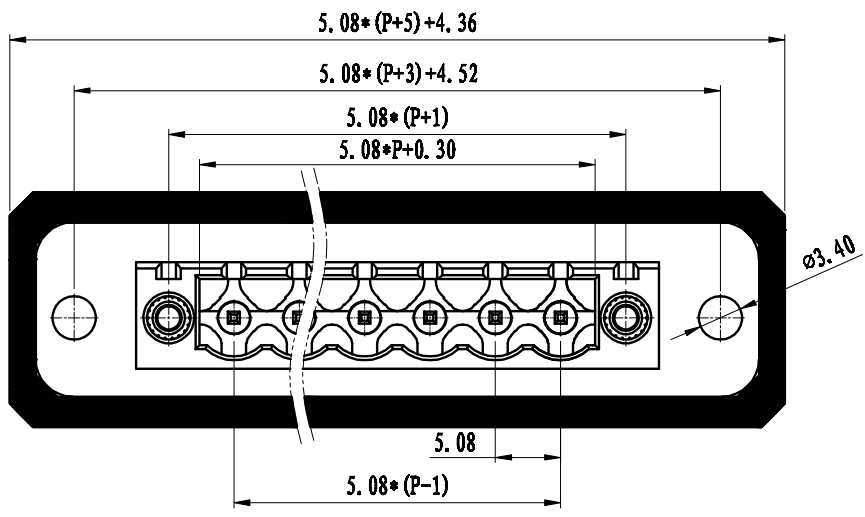



REVISION RECORD			
REV.	CONTENT	MOD.	DATE
0	初版发行		



- NOTES:**
1. Voltage Rating: 300V, Current Rating: 15A
  2. PITCH: 5.08mm
  3. Insulation Withstands Voltage: AC2500V/min
  4. Using Temperature Range: -40°C - +105°C

- 技术要求:**
1. 额定电压: 300V, 额定电流: 15A
  2. 间距: 5.08mm
  3. 耐电压值: AC 2500V/min
  4. 使用条件: -40°C - +105°C

	pitch dimension			Nominal dimension					—
	over 0	over 6	over 10	over 0	over 30	over 60	over 100	over 150	
variable range	to 6	to 10	to 24	to 30	to 60	to 100	to 150		▱
Tolerance	±0.1	±0.15	±0.25	±0.2	±0.3	±0.5	±0.7	±1.0	⌒

5	密封圈	DMFQ00001AV	1	EVA	黑色、环保
4	LZ1-耳朵螺母	SM00B250000V	2	黄铜	
3	M3外六角螺母	SW00A300001V	2	碳钢	三价铬钝化彩锌
2	LZ1-5.08-弯针	1015B0002AV	P	黄铜	镀雾锡
1	LZ1FCRM-5.08-本体	1129M0YXXAV	1	PA66-V0	绿色
NO.	NAME OF PART	NO. OF PART	Q' TY	MATERIAL	NOTES
DES.	WYY	DATE	2019/10/28	UNITS	MM
CHK.		DATE		SIZE	A4
APP.		DATE		SCALB	1:1
				DWG NO.	SP-1-1129M01
				REV:	V2
 <b>上海联捷电气有限公司</b> Shanghai Blinker Electric CO.,LTD				TITLE	LZ1FCRM-5.08-XP-1Y-00A
					LZ1FCRM-5.08-成品