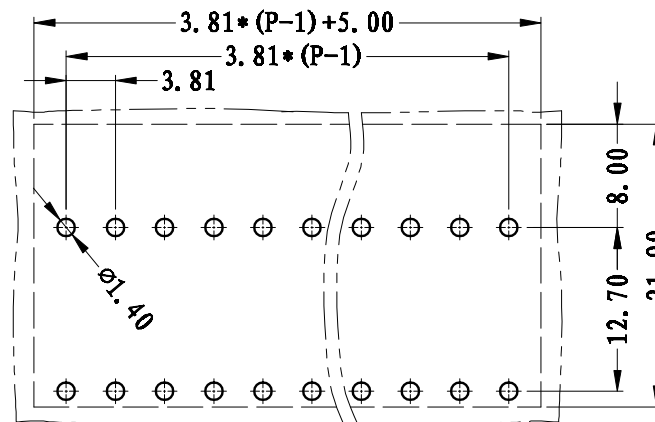
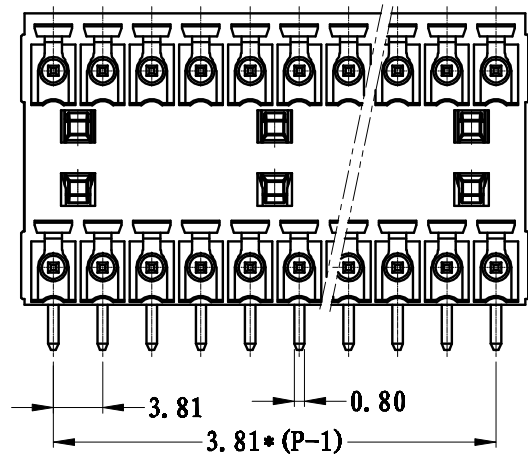
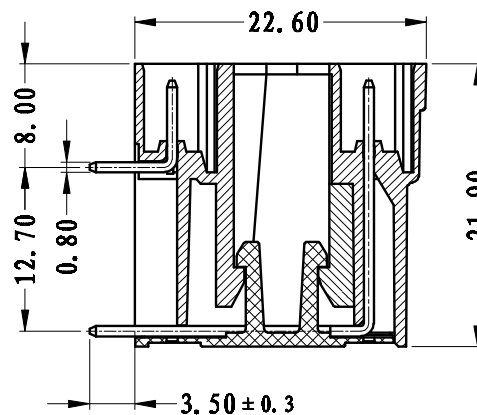
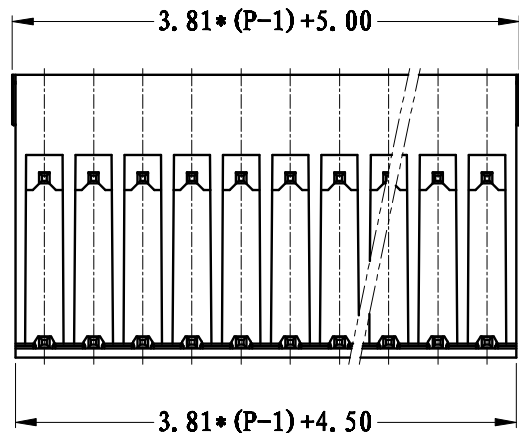


REVISION RECORD			
REV.	CONTENT	MOD.	DATE
▲	初版发行		



NOTES:
 Pitch : 3.81mm
 Rated Voltage : 300V
 Rated Current : 8 A
 Withstand Voltage :
 AC2500V for 1 minute
 Insulation Resistance :
 500MΩ / DC500V
 Using Temperature Range :
 -40℃ ~ +105℃



技术要求:
 间距: 3.81mm
 额定电压: 300V
 额定电流: 8A
 耐电压值: AC2500V/min
 绝缘阻抗: 500MΩ/DC500V
 使用条件: -40℃~+105℃

	pitch dimension			Nominal dimension					— /
	over 0	over 6	over 10	over 0	over 30	over 60	over 100	over 150	
variable range	to 6	to 10	to 24	to 30	to 60	to 100	to 150		□ ○
Tolerance	±0.1	±0.15	±0.25	±0.2	±0.3	±0.5	±0.7	±1.0	0.05/10

4.	LZ3H-3.81-长弯针	1004B0001AV	P	黄铜	镀雾锡
3.	LZ1-3.81-弯针	1003B0002AV	P	黄铜	镀雾锡
2.	LZ3H-3.81-盖板	1004C0YXXAV	1	PA66-V0	
1.	LZ3H-3.81-本体	1004A0YXXAV	1	PA66-V0	
NO.	NAME OF PART	NO. OF PART	Q'TY	MATERIAL	NOTES
DES.	ARKINE	DATE	2010/5/26	UNITS	MM
CHK.	DATE	SIZE	A4	THIRD ANGLE PROJECTION	
APP.	DATE	SCALE	1: 1	DWG NO.	SP-2-1004001
上海联捷电气有限公司 Shanghai Bliker Electric C.O,LTD				TITLE	LZ3RH-3.81-2*XP-1Y-00A LZ3RH-3.81-成品
					SHEET 1 of 1
					REV: V0