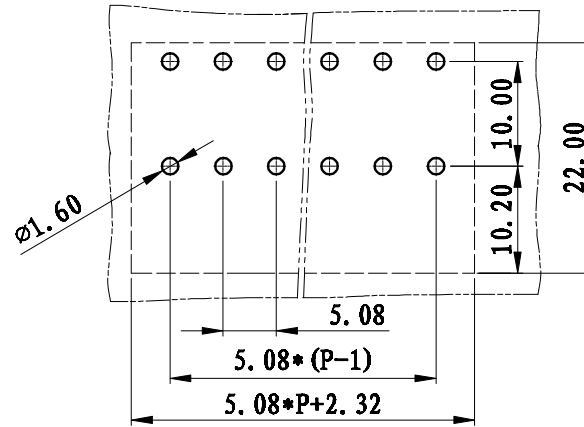
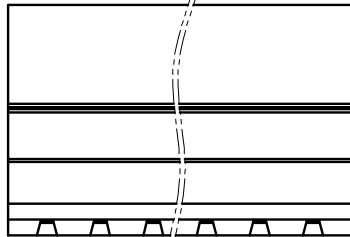
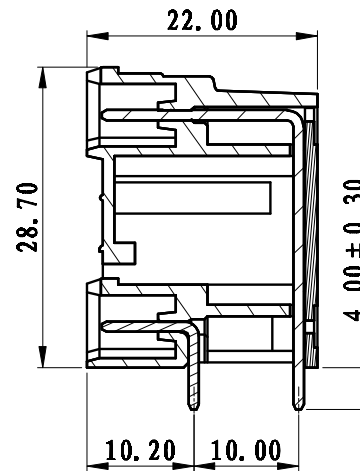
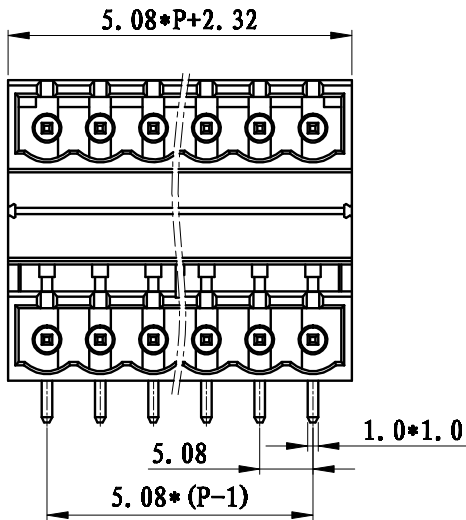


REVISION RECORD

REV.	CONTENT	MOD.	DATE
1	初版发行		



**NOTES:**  
 Pitch : 5.08 mm  
 Rated Voltage : 300 V  
 Rated Current : 15A  
 Withstand Voltage :  
 AC2500V for 1 minute  
 Insulation Resistance :  
 500MΩ / DC500V  
 Using Temperature Range :  
 -40℃ ~ +105℃



**技术要求:**  
 间距: 5.08mm  
 额定电压: 300V  
 额定电流: 15A  
 耐电压值: AC2500V/min  
 绝缘阻抗: 500MΩ/DC500V  
 使用条件: -40℃ ~ +105℃

4	LZ3H-5.08-长弯针	1031B0001AV	P	黄铜	镀雾锡
3	LZ1-5.08-弯针(1.3)	1015B0008AV	P	黄铜	镀雾锡
2	LZ3H-5.08-盖板	1032C0YXXAV	1	PA66	
1	LZ3H-5.08-主体	1031A0YXXAV	1	PA66	

NO.	NAME OF PART	NO. OF PART	Q'TY	MATERIAL	NOTES
DES.	ARKINE	DATE	2011/11/28	UNITS	mm
CHK.		DATE		SIZE	A4
APP.		DATE		SCALE	
				DWG NO.	SP-2-1031004
				REV:	V0

上海联捷电气有限公司  
 Shanghai Elinker Electric CO., LTD

TITLE  
 LZ3RH-5.08-2\*XP-1Y-00A  
 LZ3RH-5.08-成品

	pitch dimension			Nominal dimension					— /
	over 0	over 6	over 10	over 0	over 30	over 60	over 100	over 150	
variable range	to 6	to 10	to 24	to 30	to 60	to 100	to 150		
Tolerance	±0.1	±0.15	±0.25	±0.2	±0.3	±0.5	±0.7	±1.0	0.05/10