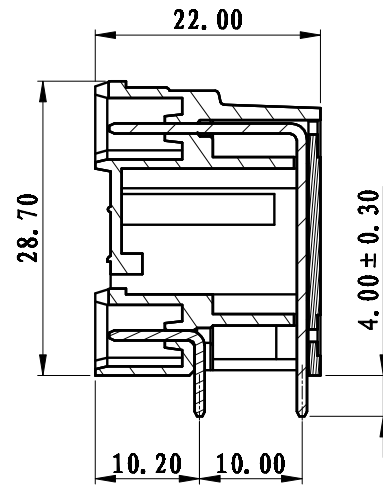
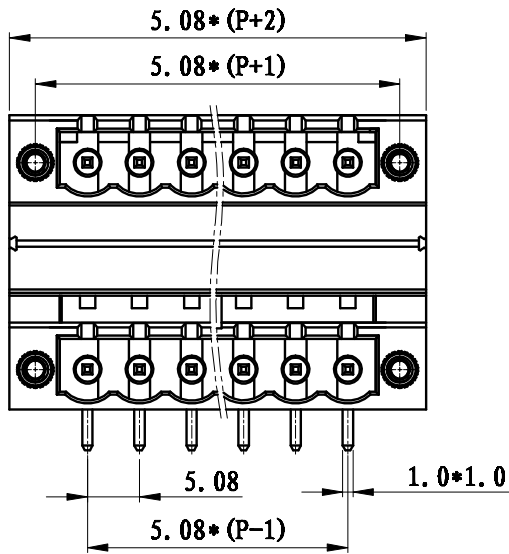
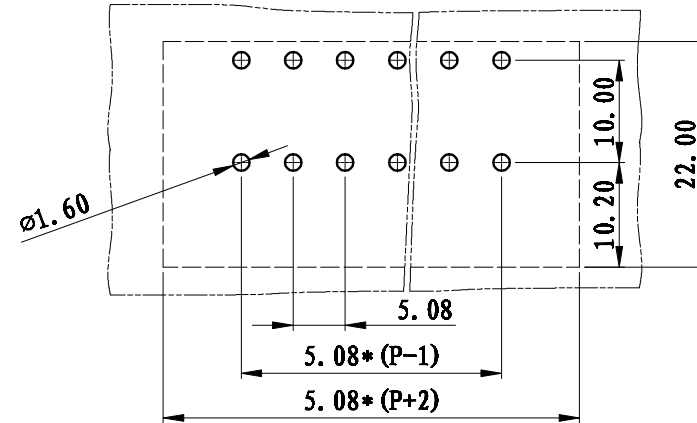
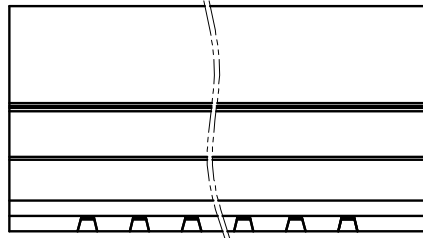


REVISION RECORD

REV.	CONTENT	MOD.	DATE
△	初版发行		



NOTES:
 Pitch : 5.08 mm
 Rated Voltage : 300 V
 Rated Current : 15A
 Withstand Voltage :
 AC2500V for 1 minute
 Insulation Resistance :
 500MΩ / DC500V
 Using Temperature Range :
 -40℃ ~ +105℃

技术要求:
 间距: 5.08mm
 额定电压: 300V
 额定电流: 15A
 耐电压值: AC2500V/min
 绝缘阻抗: 500MΩ/DC500V
 使用条件: -40℃ ~ +105℃

	pitch dimension			Nominal dimension				—	
	over 0	over 6	over 10	over 0	over 30	over 60	over 100		over 150
variable range	to 6	to 10	to 24	to 30	to 60	to 100	to 150	▱	
Tolerance	±0.1	±0.15	±0.25	±0.2	±0.3	±0.5	±0.7	±1.0	0.05/10

5	LZ1-耳朵螺母	SM00B250000V	4	黄铜	
4	LZ3H-5.08-长弯针	1031B0001AY	P	黄铜	镀雾锡
3	LZ1-5.08-弯针(1.3)	1015B0008AY	P	黄铜	镀雾锡
2	LZ3HM-5.08-盖板	1031C0YXXAY	1	PA66	
1	LZ3HM1-5.08-主体	1031M0YXXAY	1	PA66	
NO.	NAME OF PART	NO. OF PART	Q'TY	MATERIAL	NOTES
DES.	ARKINE	DATE 2011/11/28	UNITS mm	THIRD ANGLE PROJECTION	SHEET
CHK.		DATE	SIZE A4		1 of 1
APP.		DATE	SCALE	DWG NO. SP-2-1031002	REV: V0
上海联捷电气有限公司 Shanghai Elinker Electric CO., LTD				TITLE	LZ3RHM1-5.08-2*1XP-1Y-00A
					LZ3RHM1-5.08-成品