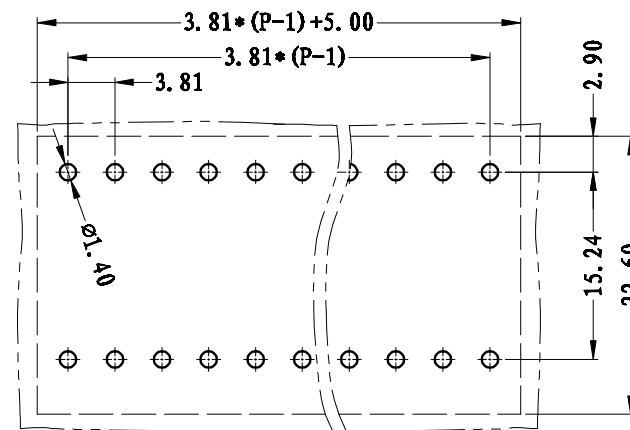
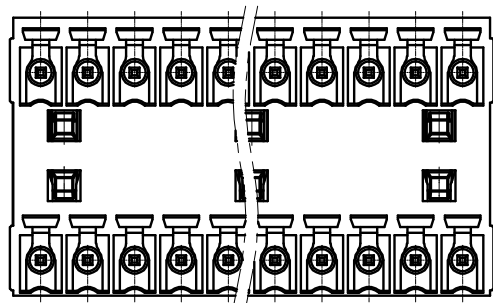
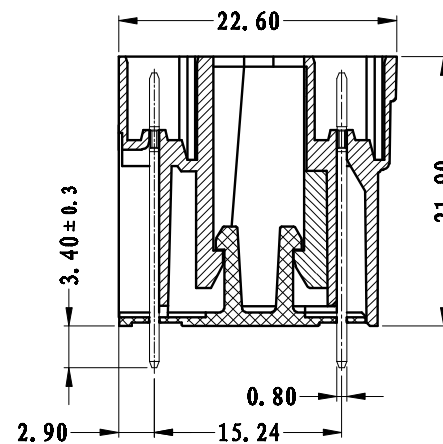
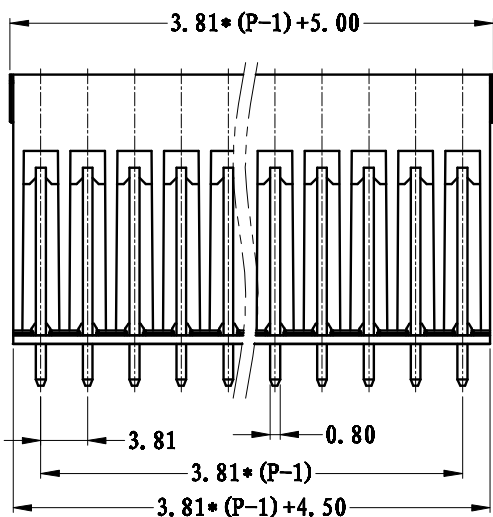


REVISION RECORD			
REV.	CONTENT	MOD.	DATE
▲	初版发行		



NOTES:
 Pitch : 3.81mm
 Rated Voltage : 300V
 Rated Current : 8 A
 Withstand Voltage :
 AC2500V for 1 minute
 Insulation Resistance :
 500MΩ / DC500V
 Using Temperature Range :
 -40℃ ~ +105℃



技术要求:
 间距: 3.81mm
 额定电压: 300V
 额定电流: 8A
 耐电压值: AC2500V/min
 绝缘阻抗: 500MΩ/DC500V
 使用条件: -40℃~+105℃

	pitch dimension			Nominal dimension					— /
	over 0 to 6	over 6 to 10	over 10 to 24	over 0 to 30	over 30 to 60	over 60 to 100	over 100 to 150	0.05/10	
variable range	0	6	10	0	30	60	100	150	— /
Tolerance	±0.1	±0.15	±0.25	±0.2	±0.3	±0.5	±0.7	±1.0	0.05/10

3.	LZ3H-3.81-直针	1004B0002AV	2P	黄铜	镀雾锡
2.	LZ3H-3.81-盖板	1004C0YXXAV	1	PA66-V0	
1.	LZ3H-3.81-本体	1004A0YXXAV	1	PA66-V0	
NO.	NAME OF PART	NO. OF PART	Q'TY	MATERIAL	NOTES
DES.	ARKINE	DATE	2010/5/26	UNITS	MM
CHK.		DATE		SIZE	A4
APP.		DATE		SCALE	1: 1
				DWG NO.	SP-2-1004003
				REV:	V0
上海联捷电气有限公司 Shanghai Blinks Electric C.O,LTD				TITLE	LZ3VH-3.81-2*XP-1Y-00A
					LZ3VH-3.81-成品