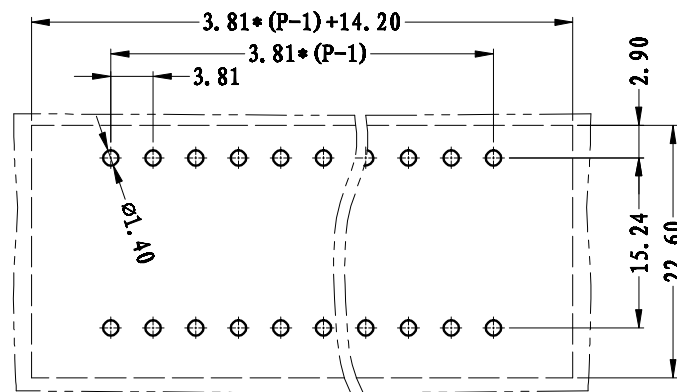
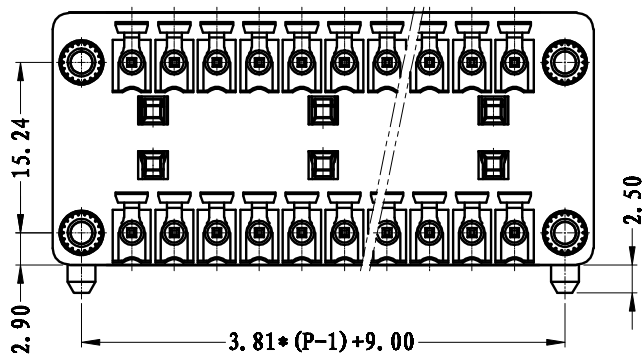
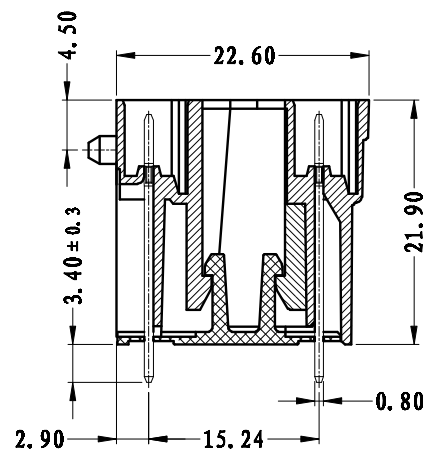
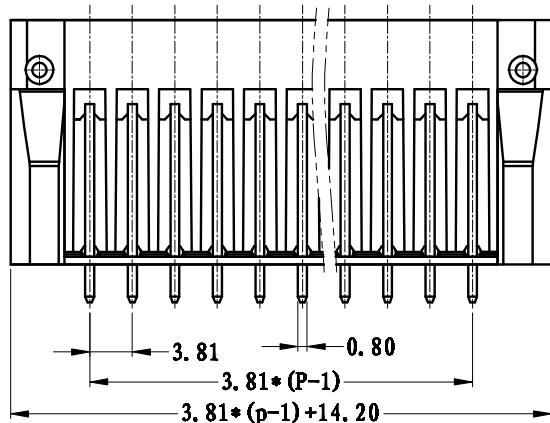


REVISION RECORD			
REV.	CONTENT	MOD.	DATE
▲	初版发行		



NOTES:
 Pitch : 3.81mm
 Rated Voltage : 300V
 Rated Current : 8A
 Withstand Voltage :
 AC2500V for 1 minute
 Insulation Resistance :
 500MΩ / DC500V
 Using Temperature Range :
 -40℃ ~ +105℃



技术要求:
 间距: 3.81mm
 额定电压: 300V
 额定电流: 8A
 耐电压值: AC2500V/min
 绝缘阻抗: 500MΩ/DC500V
 使用条件: -40℃~+105℃

	pitch dimension			Nominal dimension					— /
	over	over	over	over	over	over	over	over	
variable range	0	6	10	0	30	60	100	150	/
	to	to	to	to	to	to	to	to	
Tolerance	±0.1	±0.15	±0.25	±0.2	±0.3	±0.5	±0.7	±1.0	0.05/10

4	LZ1-耳朵螺母	SM00B250000V	4	黄铜	
3	LZ3H-3.81-直针	1004B0002AV	2P	黄铜	镀雾锡
2	LZ3H-3.81-盖板	1004C0YXXAV	1	PA66-V0	
1	LZ3HM-3.81-本体	1004M0YXXAV	1	PA66-V0	
NO.	NAME OF PART	NO. OF PART	QTY	MATERIAL	NOTES
DES.	ARKINE	DATE	2010/5/26	UNITS	MM
CHK.		DATE		SIZE	A4
APP.		DATE		SCALE	1:1
				DWG NO.	SP-2-1004004
				REV:	V0
上海联捷电气有限公司 Shanghai Bliker Electric C.O., LTD				TITLE	LZ3VHM-3.81-2*XXP-1Y-00A LZ3VHM-3.81-成品