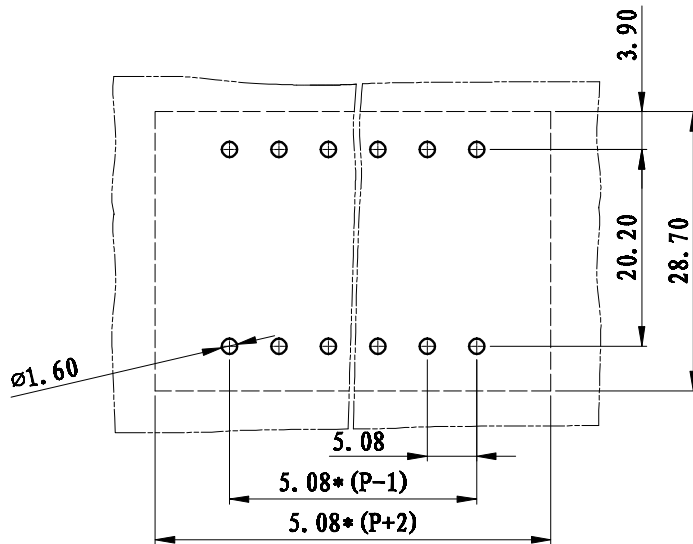
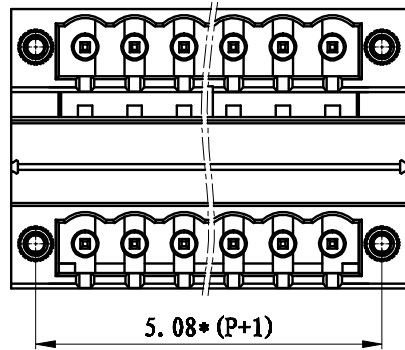
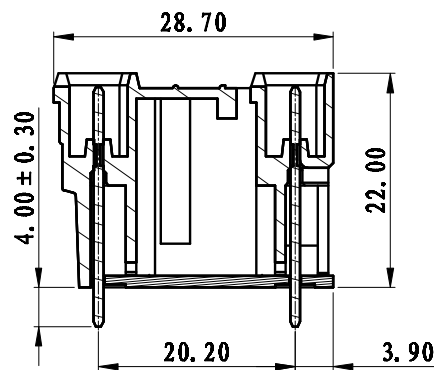
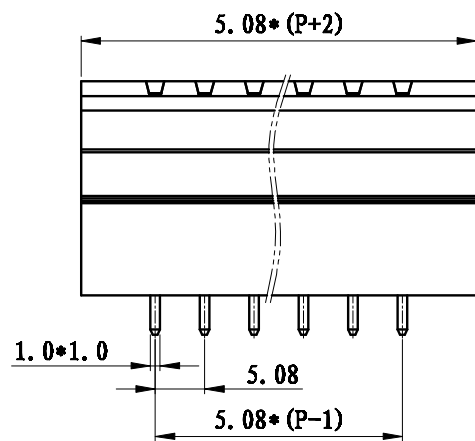


REVISION RECORD			
REV.	CONTENT	MOD.	DATE
▲	初版发行		



**NOTES:**  
 Pitch : 5.08 mm  
 Rated Voltage : 300 V  
 Rated Current : 15A  
 Withstand Voltage :  
 AC2500V for 1 minute  
 Insulation Resistance :  
 500M $\Omega$  / DC500V  
 Using Temperature Range :  
 -40 $^{\circ}$ C ~ +105 $^{\circ}$ C



**技术要求:**  
 间距: 5.08mm  
 额定电压: 300V  
 额定电流: 15A  
 耐电压值: AC2500V/min  
 绝缘阻抗: 500M $\Omega$ /DC500V  
 使用条件: -40 $^{\circ}$ C~+105 $^{\circ}$ C

	pitch dimension			Nominal dimension					—
	over 0	over 6	over 10	over 0	over 30	over 60	over 100	over 150	
variable range	to 6	to 10	to 24	to 30	to 60	to 100	to 150		
Tolerance	±0.1	±0.15	±0.25	±0.2	±0.3	±0.5	±0.7	±1.0	0.05/10

4	LZ1-耳朵螺母	SM00B250000V	4	黄铜	
3	LZ3H-5.08-直针	1031B0002AV	2P	黄铜	镀雾锡
2	LZ3HM-5.08-盖板	1031C0YXXAV	1	PA66	
1	LZ3HM1-5.08-主体	1031M0YXXAV	1	PA66	
NO.	NAME OF PART	NO. OF PART	Q'TY	MATERIAL	NOTES
DES.	ARKINE	DATE 2011/11/28	UNITS mm	THIRD ANGLE PROJECTION	SHEET
CHK.		DATE	SIZE A4		1 of 1
APP.		DATE	SCALE	DWG NO.	REV: V0
上海联捷电气有限公司 Shanghai Elinker Electric CO., LTD				TITLE	LZ3VHM1-5.08-2*XXP-1Y-00A LZ3VHM1-5.08-成品