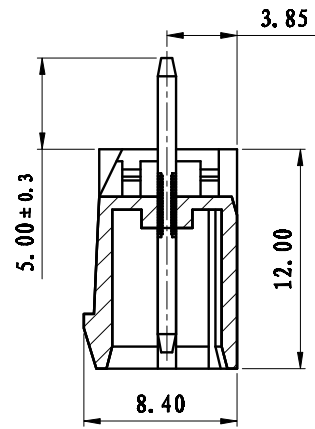
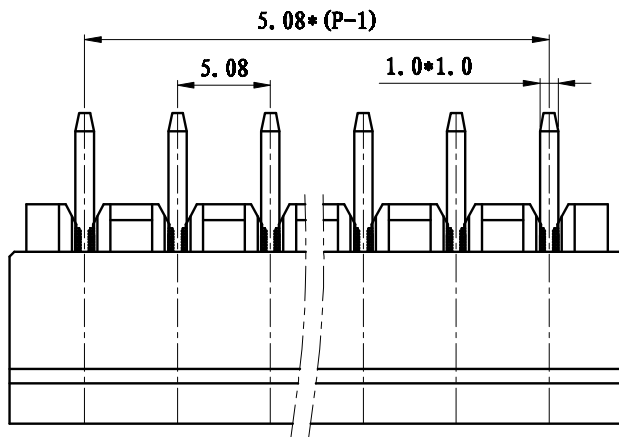
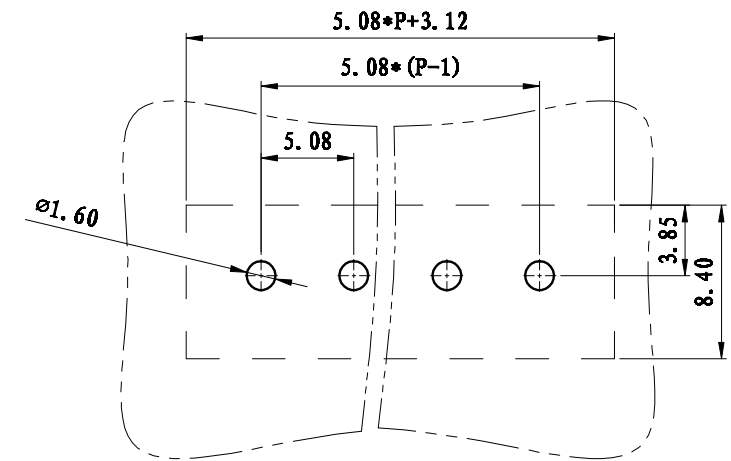
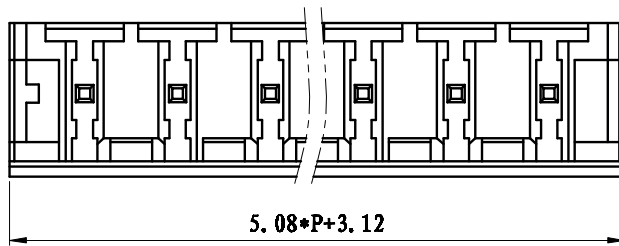


REVISION RECORD

| REV. | CONTENT | MOD. | DATE |
|------|---------|------|------|
| ① | 初版发行 | | |



NOTES:

Pitch : 5.08mm
 Rated Voltage : 300 V
 Rated Current : 15 A
 Withstand Voltage :
 AC2500V for 1 minute
 Insulation Resistance :
 500MΩ / DC500V
 Using Temperature Range :
 -40℃ ~ +105℃

技术要求:
 间距: 5.08mm
 额定电压: 300V
 额定电流: 15A
 耐电压值: AC2500V/min
 绝缘阻抗: 500MΩ/DC500V
 使用条件: -40℃ ~ +105℃

| | pitch dimension | | | Nominal dimension | | | | | — |
|-----------|-----------------|-------|-------|-------------------|------|------|------|------|---------|
| | over | over | over | over | over | over | over | over | |
| variable | 0 | 6 | 10 | 0 | 30 | 60 | 100 | 150 | □ |
| range | to | to | to | to | to | to | to | to | ○ |
| | 6 | 10 | 24 | 30 | 60 | 100 | 150 | | |
| Tolerance | ±0.1 | ±0.15 | ±0.25 | ±0.2 | ±0.3 | ±0.5 | ±0.7 | ±1.0 | 0.05/10 |

| 2 | LSZ1-5.08-直针 | 1055B0001AV | P | 黄铜 | 镀雾锡 |
|------|--------------|-------------|------------|----------|---------------|
| 1 | LSZ1-5.08-主体 | 1055A0YXXAV | 1 | PA66-V0 | |
| NO. | NAME OF PART | NO. OF PART | Q'TY | MATERIAL | NOTES |
| DES. | LDD | DATE | 2012/08/15 | UNITS | mm |
| CHK. | | DATE | | SIZE | A4 |
| APP. | | DATE | | SCALE | |
| | | | | DWG NO. | SP-2-1055001 |
| | | | | TITLE | LSZ1V-5.08-成品 |

上海联捷电气有限公司
 Shanghai Elinker Electric CO.,LTD