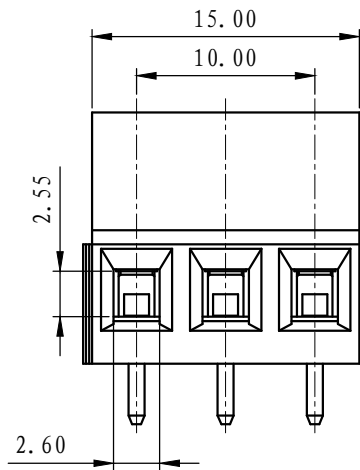
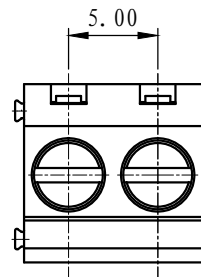
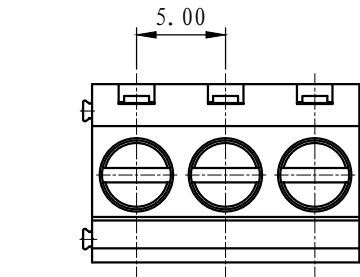
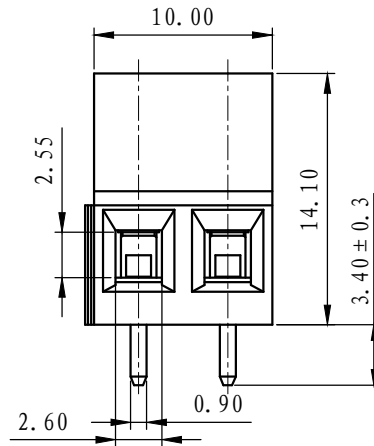


REVISION		RECORD	
REV.	CONTENT	MOD.	DATE
△	初版发行		



3p



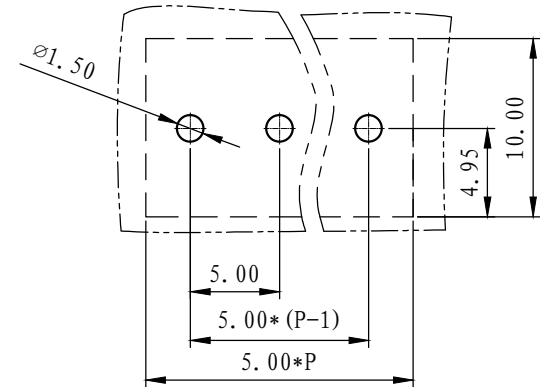
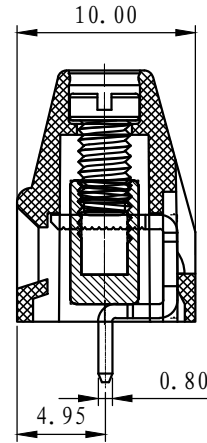
2p

NOTES:

1. Voltage Rating: 300V, Current Rating: 15A
2. PITCH: 5.0mm
3. Insulation Withstands Voltage: AC2500V/min
4. Insulation Resistance: 500MΩ or more at DC500V
5. Using Temperature Range: -40° C ~ +105° C
6. Suitable Electric Wire: 26-12AWG
7. Screw Torque Value: 0.5 N.m

技术要求:

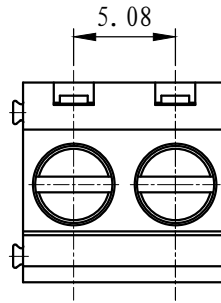
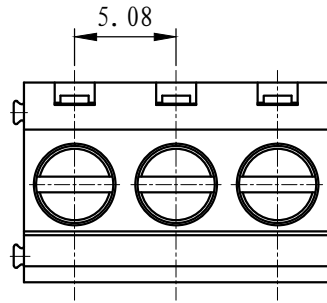
1. 额定电压: 300V, 额定电流: 15A
2. 间距: 5.0mm
3. 耐电压值: AC 2500V/min
4. 绝缘阻抗: 500兆欧/DC 500V
5. 使用条件: -40° - +105°
6. 适用线规: 26-12AWG
7. 螺丝扭力: 0.5 N.m



	pitch dimension			Nominal dimension					— ▱ ⌒
	over 0	over 6	over 10	over 0	over 30	over 60	over 100	over 150	
variable range	to 6	to 10	to 24	to 30	to 60	to 100	to 150		
Tolerance	±0.1	±0.15	±0.25	±0.2	±0.3	±0.5	±0.7	±1.0	0.05/10

4.	LC1-5.08螺丝	SPOYA305301V	P	碳钢	三价铬钝化彩锌
3.	LC1-5.08铜方块	F1A0BLC5083V	P	黄铜	镀镍
2.	LG128V-焊脚	2013B0001AV	P	黄铜	镀雾锡
1.	LG128-5.0-本体(带拼接)	2013A0YXXAVP	I	PAG6-V0	
NO.	NAME OF PART	NO. OF PART	Q' TY	MATERIAL	NOTES
DES.	ZD	DATE	21/2/6	UNITS	MM
CHK.		DATE		SIZE	A4
APP.		DATE		SCALE	1:1
				DWG. NO.	SP-2-2013002
				REV.	V0
上海联捷电气有限公司 Shanghai Elinker Electric CO.,LTD				TITLE	LG128V-5.0-XXP-1Y-00A(M3孔) LG128V-5.0-成品(带拼接)

REVISION		RECORD	
REV.	CONTENT	MOD.	DATE
△	初版发行		

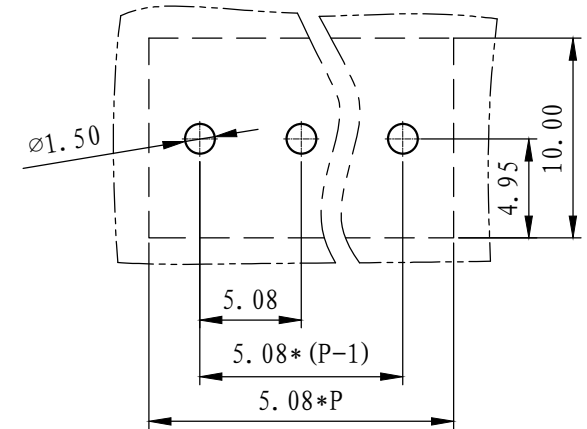
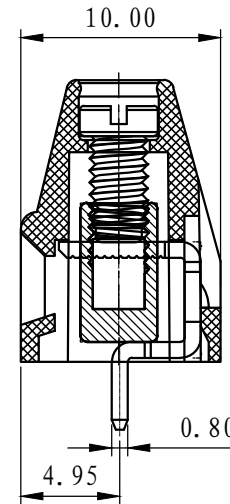
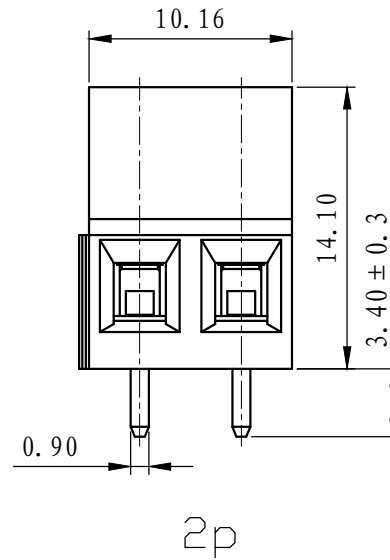
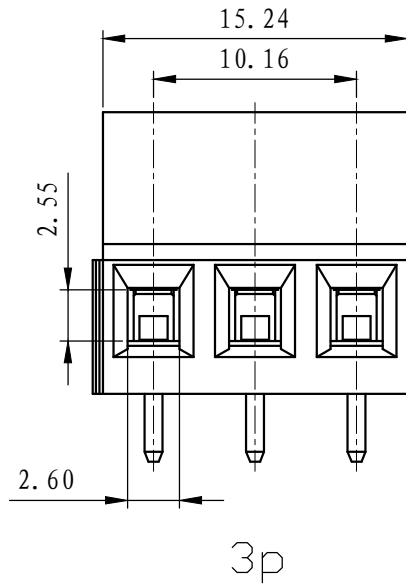


NOTES:

1. Voltage Rating: 300V, Current Rating: 10A
2. PITCH: 5.08mm
3. Insulation Withstands Voltage: AC2500V/min
4. Insulation Resistance:500MΩ or more at DC500V
5. Using Temperature Range: -40° C~+105° C
6. Suitable Electric Wire:26-14AWG
7. Screw Torque Value: 0.5 N.m

技术要求:

1. 额定电压: 300V, 额定电流: 10A
2. 间距: 5.08mm
3. 耐电压值: AC 2500V/min
4. 绝缘阻抗: 500兆欧/DC 500V
5. 使用条件: -40° - +105°
6. 适用线规: 26-14AWG
7. 螺丝扭力: 0.5 N.m



	pitch dimension			Nominal dimension					—
	over 0	over 6	over 10	over 0	over 30	over 60	over 100	over 150	
variable range	to 6	to 10	to 24	to 30	to 60	to 100	to 150		▱
Tolerance	±0.1	±0.15	±0.25	±0.2	±0.3	±0.5	±0.7	±1.0	⌒

4.	LC1-5.08螺丝	SPOYA305301V	P	碳钢	三价铬钝化彩锌
3.	LC1-5.08铜方块	F1A0BLC5083V	P	黄铜	镀镍
2.	LG128V-焊脚	2013B0001AV	P	黄铜	镀雾锡
1.	LG128-5.08-本体(带拼接)	2020A0YXXAVP	1	PA66-V0	
NO.	NAME OF PART	NO. OF PART	Q' TY	MATERIAL	NOTES
DES.	ZD	DATE	21/1/26	UNITS	MM
CHK.		DATE		SIZE	A4
APP.		DATE		SCALE	1:1
				DWG NO.	SP-2-2020002
				REV.	V0
上海联捷电气有限公司 Shanghai Elinker Electric CO.,LTD				TITLE	LG128V-5.08-XXP-1Y-00A (M3孔) LG128V-5.08-成品(带拼接)