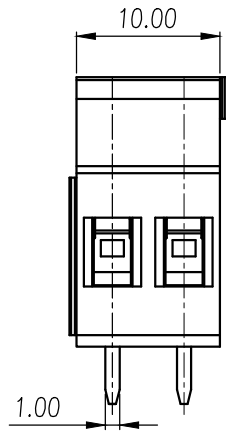
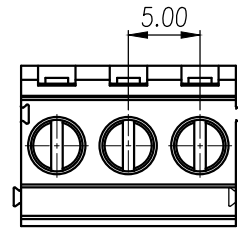
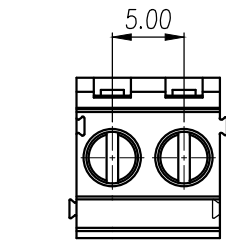
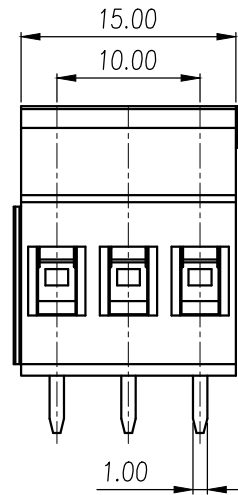


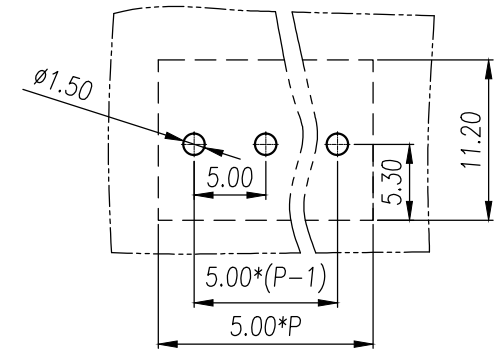
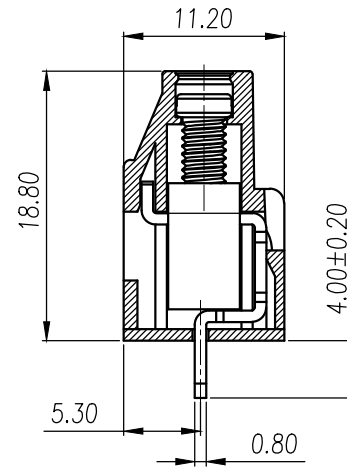
REVISION RECORD			
REV.	CONTENT	MOD.	DATE
△	初版发行		



<2P>



<3P>



NOTES:

1. Voltage Rating: 300V, Current Rating: 18A
2. PITCH: 5.0mm
3. Insulation Withstands Voltage: AC2500V/min
4. Insulation Resistance: 500MΩ or more at DC500V
5. Using Temperature Range: -40° C - +105° C
6. Suitable Electric Wire: AWG 26-12
7. Screw Torque Value: 0.5Nm

技术要求:

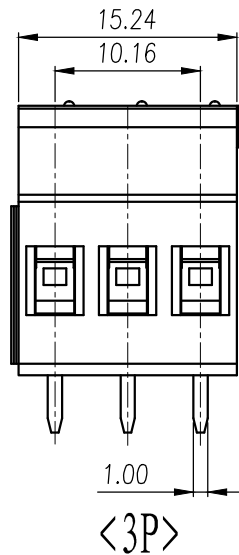
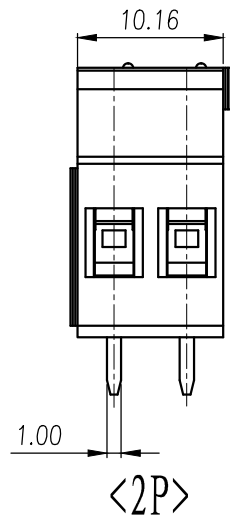
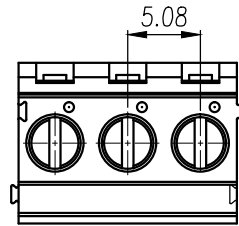
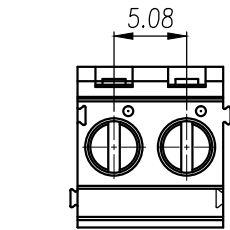
1. 额定电压: 300V, 额定电流: 18A
2. 间距: 5.0mm
3. 耐电压值: AC 2500V/min
4. 绝缘阻抗: 500兆欧/DC500V
5. 使用条件: -40° - +105°
6. 适用线规: AWG 26-12
7. 螺丝扭力: 0.5Nm

	pitch dimension			Nominal dimension					— □ ○
	over 0 to 6	over 6 to 10	over 10 to 24	over 0 to 30	over 30 to 60	over 60 to 100	over 100 to 150	over 150	
variable range	0 to 6	6 to 10	10 to 24	0 to 30	30 to 60	60 to 100	100 to 150	150	□ ○
Tolerance	±0.1	±0.15	±0.25	±0.2	±0.3	±0.5	±0.7	±1.0	0.05/10

5.	LG129-5.0-盖子	2018C0YXXAV	1	PA66-V0	
4.	LG129V-焊脚	2018B0001AV	P	黄铜	镀雾锡
3.	LG129-铜方块	F1A0BLG1293V	P	黄铜	镀镍
2.	LG129-螺丝	SP0FA306701V	P	碳钢	三价铬钝化彩锌
1	LG129-5.0-本体(带拼接)	2018A0YXXAVP	1	PA66-V0	
NO.	NAME OF PART	NO. OF PART	Q'TY	MATERIAL	NOTES
DES.	ARKINE	DATE 11-03-13	UNITS	mm	THIRD ANGLE PROJECTION
CHK.		DATE	SIZE	A4	1 of 1
APP.		DATE	SCALE	1:1	DWG NO. SP-2-2018003 REV: V0
上海联捷电气有限公司 Shanghai Elinker Electric C. O, LTD				TITLE	LG129VC-5.0-XXP-1Y-00A LG129VC-5.0-成品(带拼接)

REVISION RECORD

REV.	CONTENT	MOD.	DATE
△	初版发行		

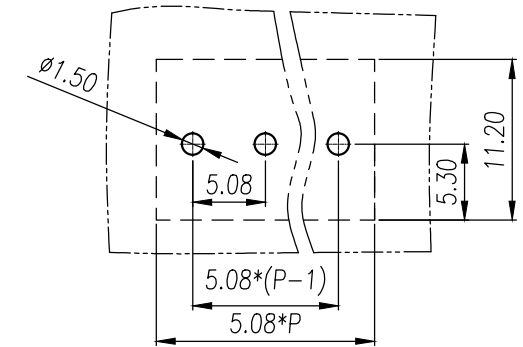
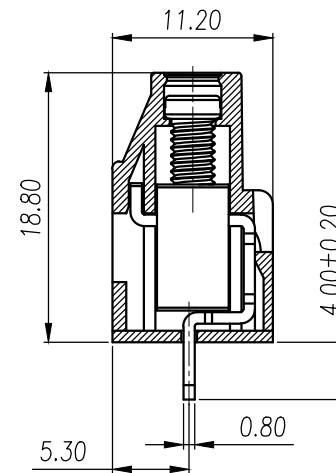


NOTES:

1. Voltage Rating: 300V, Current Rating: 18A
2. PITCH: 5.08mm
3. Insulation Withstands Voltage: AC2500V/min
4. Insulation Resistance: 500MΩ or more at DC500V
5. Using Temperature Range: -40° C - +105° C
6. Suitable Electric Wire: AWG 26-12
7. Screw Torque Value: 0.5Nm

技术要求:

1. 额定电压: 300V, 额定电流: 18A
2. 间距: 5.08mm
3. 耐受电压值: AC 2500V/min
4. 绝缘阻抗: 500兆欧/DC500V
5. 使用条件: -40° - +105°
6. 适用线规: AWG 26-12
7. 螺丝扭力: 0.5Nm



		linear dimension					—	≡	▱	//	⊥
variable range	to	over 6 to 30	over 30 to 50	over 50 to 100	over 100 to 150	over 150 to 200	all	to 5	over 5 to 30	over 30 to 120	over 120
Tolerance	±0.03	±0.05	±0.1	±0.2	±0.25	±0.35	0.25%	±0.025	±0.06	±0.15	±0.3

5.	LG129-5.08-盖子	2007C0YXXAV	1	PA66-V0	
4.	LG129V-焊脚	2018B0001AV	P	黄铜	镀雾锡
3.	LG129-铜方块	F1A0BLG1293V	P	黄铜	镀镍
2.	LG129-螺丝	SP0FA306701V	P	碳钢	三价铬钝化彩锌
1	LG129-5.08-本体(带拼接)	2007A0YXXAVP	1	PA66-V0	
NO.	NAME OF PART	NO. OF PART	Q'TY	MATERIAL	NOTES
DES.	ARKINE	DATE	11-03-13	UNITS	mm
CHK.		DATE		SIZE	A4
APP.		DATE		SCALE	1:1
				DWG NO.	SP-2-2007003
				REV:	V0
上海联捷电气有限公司 Shanghai Elinker Electric C. O., LTD				TITLE	LG129VC-5.08-XXP-1Y-00A LG129VC-5.08成品(带拼接)