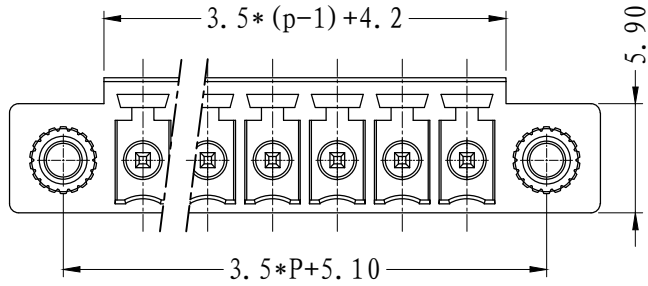
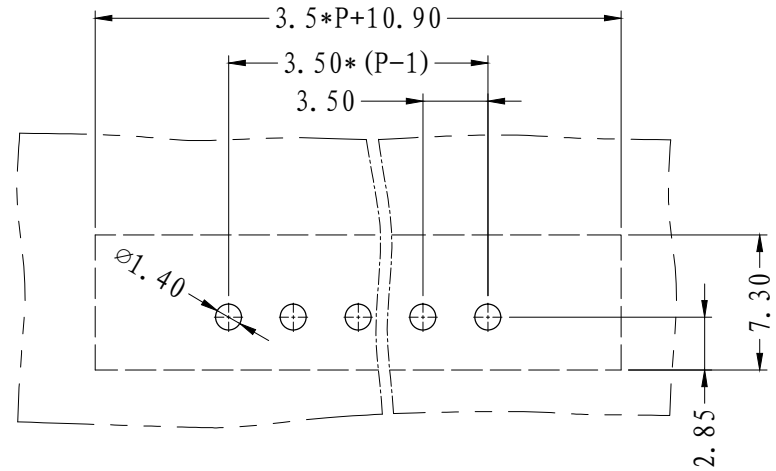
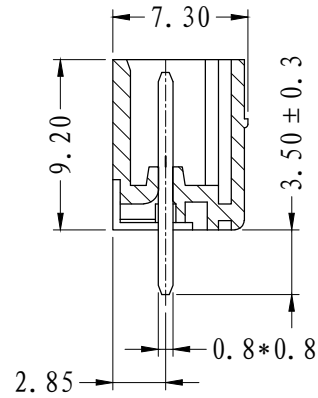
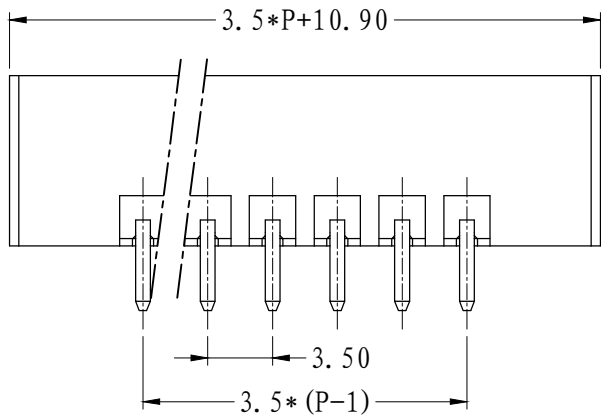


REVISION RECORD			
REV.	CONTENT	MOD.	DATE
△	新发行		



NOTES:
 Pitch : 3.5mm
 Rated Voltage : 300V
 Rated Current : 8 A
 Withstand Voltage :
 AC2500V for 1 minute
 Using Temperature Range :
 -40℃ ~ +105℃

技术要求:
 间距: 3.5mm
 额定电压: 300V
 额定电流: 8A
 耐电压值: AC2500V/min
 使用条件: -40℃ ~+105℃



	pitch dimension			Nominal dimension					— □ ○
	over 0 to 6	over 10 to 24	over 30 to 60	over 60 to 100	over 100 to 150	over 150 to 200	over 200 to 250	over 250 to 300	
variable range	0 to 6	10 to 24	30 to 60	60 to 100	100 to 150	150 to 200	200 to 250	250 to 300	0.05/10
Tolerance	±0.1	±0.15	±0.25	±0.2	±0.3	±0.5	±0.7	±1.0	0.05/10

3	LZ1-耳朵螺母	SM00B250000V	2	黄铜	
2	LZ1-3.81-直针	1003B0001AV	P	黄铜	镀锡
1	LZ1F-3.5-本体	1025M30XXAV	1	PA66	黑色
NO.	NAME OF PART	NO. OF PART	Q'TY	MATERIAL	NOTES
DES.	CMZ	DATE	25-01-14	UNITS	MM
CHK.		DATE		SIZE	A4
APP.		DATE		SCALE	1:1
				DWG NO.	SP-1-1025004
				REV:	TO
 上海联捷电气有限公司 Shanghai Elinker Electric C.O,LTD				TITLE	
				LZ1VF-3.5-成品	