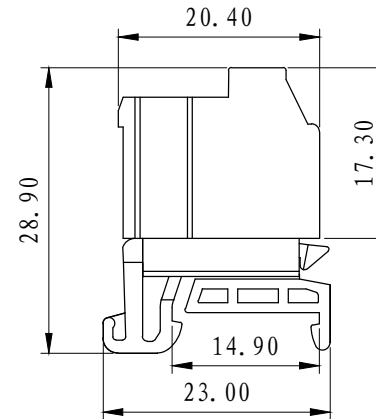
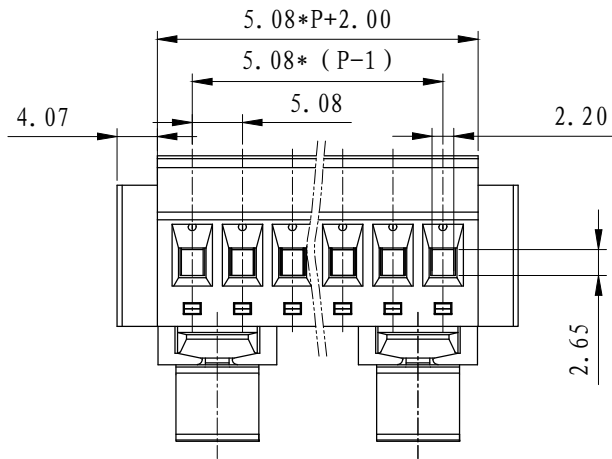
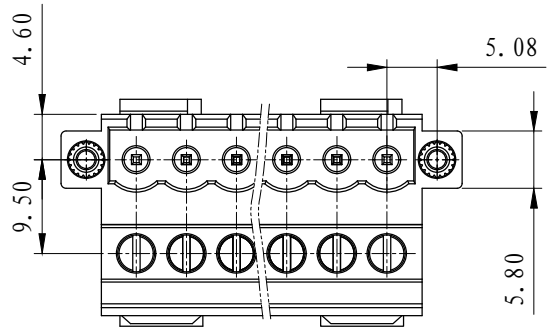


REVISION RECORD			
REV.	CONTENT	MOD.	DATE
△	初版发行		



NOTES:

Pitch: 5.08mm Pole: 2-24P
 Rated Voltage: 300V
 Rated Current: 15A
 Withstand Voltage: AC2500V for 1 minute
 Using Temperature Range : -40° C+150° C
 Wire range : 24-12 AWG
 Screw Torque Value : 0.5 N.m

技术要求:

间距: 5.08mm 极数: 2-24P
 额定电压: 300V
 额定电流: 15A
 耐电压值: AC 2500V/min
 使用条件: -40°C--+105°C
 适用线规: 24-12AWG
 螺丝扭矩: 0.5 N.m

备注: 2-4线只使用1个脚并且位产品正中间, 5-24线使用2个脚

	pitch dimension			Nominal dimension					— /
	over 0	over 6	over 10	over 0	over 30	over 60	over 100	over 150	
variable range	to 6	to 10	to 24	to 30	to 60	to 100	to 150		□ ○
Tolerance	±0.1	±0.15	±0.25	±0.2	±0.3	±0.5	±0.7	±1.0	0.05/10

7	LZ1耳朵螺母	SMO0B250000V	2	黄铜	
6	LC18-5.08方针	1047B0001AV	P	紫铜	镀雾锡
5	LC1-5.08方块	F1A0B1C5083V	P	黄铜	镀镍
4	LC1-5.08-螺丝	SPOYA305301V	P	碳钢	三价铬钝化彩锌
3	LC15脚	1067TOY01AV	1-2	PA66-V0	
2	LC19U-5.08-盖板	1050C0YXXAV	1	PA66-V0	
1	LC19UM-5.08主体	1050M0YXXAV	1	PA66-V0	

NO.	NAME OF PART	NO. OF PART	Q'TY	MATERIAL	NOTES
DES.	CMZ	DATE	2025/03/31	UNITS	mm
CHK.		DATE		SIZE	A4
APP.		DATE		SCALE	1:1
				DWG NO.	SP-2-1050001
				REV:	V0
				TITLE	LC19YM-5.08-XXP-1Y-00A
					LC19YM-5.08成品

上海联捷电气有限公司
 Shanghai Elinker Electric CO.,LTD