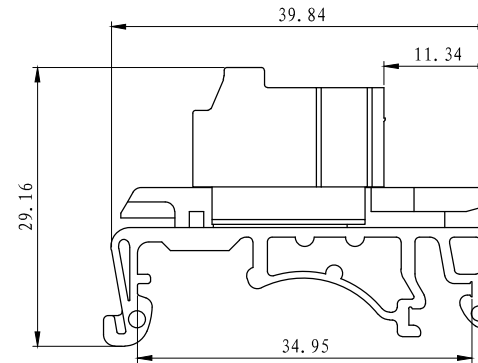
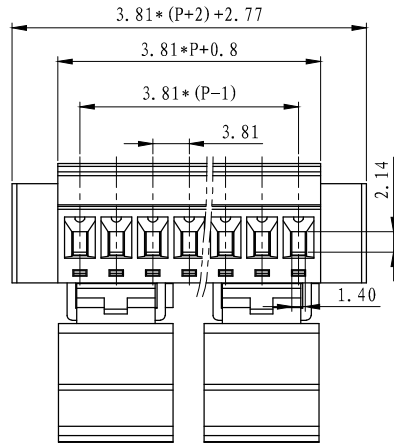
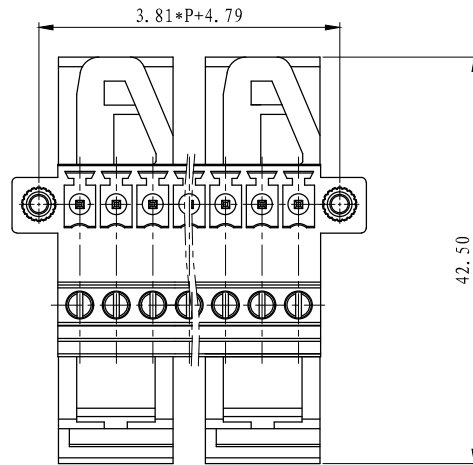


| REVISION RECORD | | | |
|-----------------|---------|------|------|
| REV. | CONTENT | MOD. | DATE |
| △ | 新发行 | | |



NOTES:

Pitch: 3.81mm Pole: 2-24P
 Rated Voltage: 300V
 Rated Current: 8A
 Withstand Voltage:
 AC2000V for 1 minute
 Using Temperature Range :
 -40° +150°
 Wire range : 28-16 AWG
 Screw Torque Value : 0.2N.m
 Strip Length: 7mm

技术要求:

间距: 3.81mm 极数: 2-24P
 额定电压: 300V
 额定电流: 8A
 耐电压值: AC 2000V/min
 使用条件: -40℃ -+105℃
 适用线规: 28-16AWG
 螺丝扭矩: 0.2 N.m
 剥线长度: 7mm

备注: 3-6线只使用1个脚, 7-24线使用2个脚

| | pitch dimension | | | Nominal dimension | | | | | — ▭ ○ |
|----------------|-----------------|--------|---------|-------------------|---------|---------|----------|----------|-------------|
| | over 0 | over 6 | over 10 | over 0 | over 30 | over 60 | over 100 | over 150 | |
| variable range | to 6 | to 10 | to 24 | to 30 | to 60 | to 100 | to 150 | | |
| Tolerance | ±0.1 | ±0.15 | ±0.25 | ±0.2 | ±0.3 | ±0.5 | ±0.7 | ±1.0 | 0.05/10 |

| | | | | | |
|------|---------------|--------------|-----------|----------|------------------------|
| 7 | LZ1-耳朵螺母 | SNM0250010V | 2 | 黄铜 | |
| 6 | LC16-5.08脚 | 1045T4000AV | | PA66-V0 | 绿色 |
| 5 | LC18-3.81方针 | 1051B0001AV | P | 紫铜 | 镀雾锡 |
| 4 | LC1-3.81-方块 | F1A0BLC3813V | P | 黄铜 | 镀镍 |
| 3 | LC1-3.81-螺丝 | SP0YA204801V | P | 碳钢 | 三价铬钝化彩锌 |
| 2 | LC18U-3.81盖板 | 1051C0YXXAV | 1 | PA66-V0 | |
| 1 | LC18UM-3.81主体 | 1051M0YXXAV | 1 | PA66-V0 | |
| NO. | NAME OF PART | NO. OF PART | Q'TY | MATERIAL | NOTES |
| DES. | CMZ | DATE | 2025/5/30 | UNITS | mm |
| CHK. | | DATE | | SIZE | A4 |
| APP. | | DATE | | SCALE | 1:1 |
| | | | | DWG NO. | SP-1-1051M400 |
| | | | | REV: | V0 |
| | | | | TITLE | LC19UM-3.81-XXP-1Y-00A |
| | | | | | LC19UM-3.81成品 |

上海联捷电气有限公司
 Shanghai Elinker Electric CO.,LTD