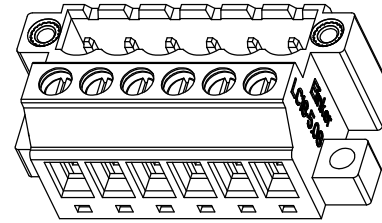
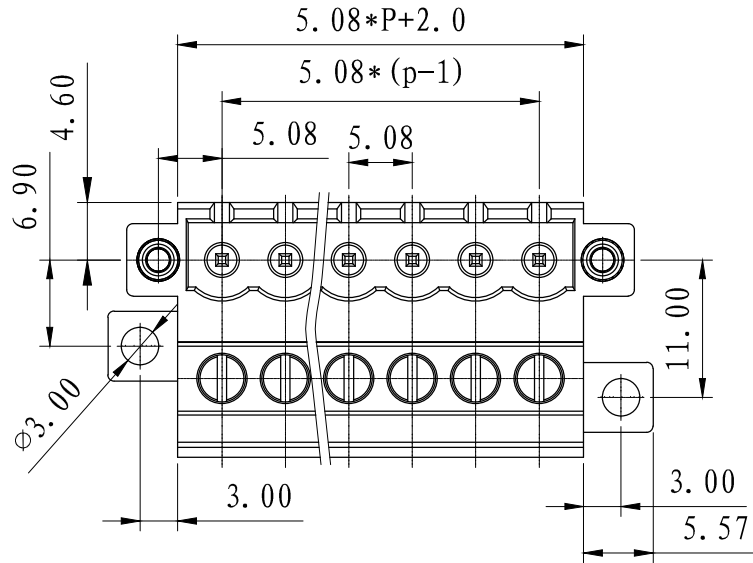


REVISION RECORD			
REV.	CONTENT	MOD.	DATE
△	初版发行		

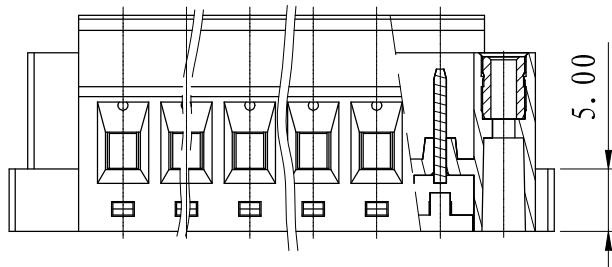
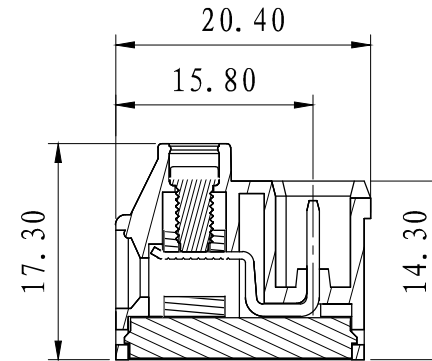


NOTES:

Pitch: 5.08mm Pole: 2-24P  
 Rated Voltage: 300V  
 Rated Current: 15A  
 Withstand Voltage:  
 AC2500V for 1 minute  
 Insulation Resistance :  
 500MΩ/DC500V  
 Using Temperature Range :  
 -40+105°  
 Wire range : 24-12 AWG  
 Screw Torque Value : 0.5N.m

技术要求:

间距: 5.08mm 极数: 2-24P  
 额定电压: 300V  
 额定电流: 15A  
 耐电压值: AC 2500V/min  
 绝缘阻抗: 500MΩ  
 使用条件: -40℃ +105℃  
 适用线规: 24-12AWG  
 螺丝扭矩: 0.5 Nm



6	LZ1耳朵螺母	SMO0B250000V	2	黄铜	三价铬钝化彩锌
5	LC18-5.08方针	1047B0001AV	P	紫铜	镀雾锡
4	LC1-5.08-方块	F1A0BLC5083V	P	黄铜	镀镍
3	LC1-5.08-螺丝	SPOYA305301V	P	碳钢	三价铬钝化彩锌
2	LC18-5.08-盖板	1047C0YXXAV	1	PA66-V0	
1	LC18M-5.08主体	1047M0YXXAV	1	PA66-V0	

NO.	NAME OF PART	NO. OF PART	Q'TY	MATERIAL	NOTES
DES.	CMZ	DATE	2025/11/06	UNITS	mm
CHK.		DATE		SIZE	A4
APP.		DATE		SCALE	1:1



上海联捷电气有限公司  
 Shanghai Elinker Electric CO.,LTD

TITLE

LC18M-5.08-XXP-1Y-00A  
 LC18M-5.08成品

	pitch dimension			Nominal dimension					— ◇ ○
	over 0 to 6	over 6 to 10	over 10 to 24	over 0 to 30	over 30 to 60	over 60 to 100	over 100 to 150	over 150	
variable range	0 to 6	6 to 10	10 to 24	0 to 30	30 to 60	60 to 100	100 to 150	150	—
Tolerance	±0.1	±0.15	±0.25	±0.2	±0.3	±0.5	±0.7	±1.0	0.05/10