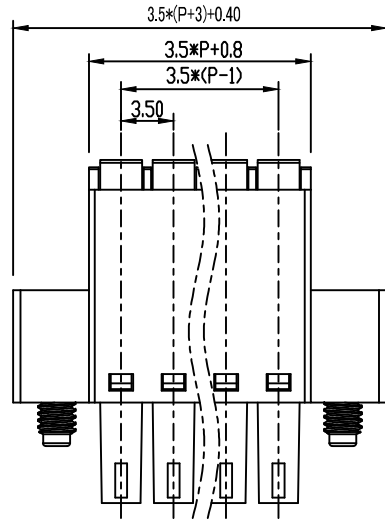
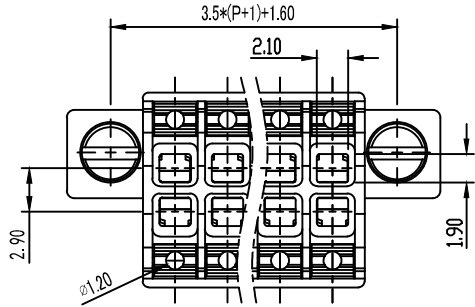


REVISION RECORD			
REV.	CONTENT	MOD.	DATE
△	初版发行		

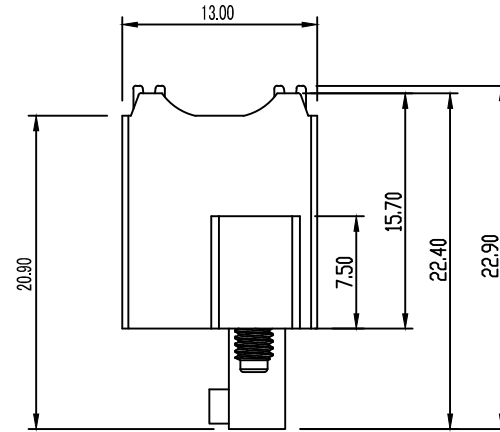


NOTES:

1. Voltage Rating: 300V, Current Rating: 8A
2. PITCH: 3.5mm
3. Insulation Withstands Voltage: AC2500V/min
4. Using Temperature Range: -40°C - +105°C
5. Suitable Electric Wire: 28-16AWG
6. strip length:10mm

技术要求:

1. 额定电压: 300V, 额定电流: 8A
2. 间距: 3.5mm
3. 耐受电压值: AC 2500V/min
4. 使用条件: -40°C - +105°C
5. 适用线规: 28-16AWG
6. 剥线长度: 10mm



	pitch dimension			Nominal dimension					— ◇ ○
	over 0	over 6	over 10	over 0	over 30	over 60	over 100	over 150	
variable range	to 6	to 10	to 24	to 30	to 60	to 100	to 150		
Tolerance	±0.1	±0.15	±0.25	±0.2	±0.3	±0.5	±0.7	±1.0	0.05/10

7	LC1-耳朵螺丝	SP0YA255101V	2		
6	LC84-3.5-导电件	60LCBDD008AV	P	紫铜	
5	LC8-3.5-按钮	1188D5001AV	2P	POM	
4	LC84-3.5-夹子+弹片	1264B0001AV	P	不锈钢	
3	LC8-3.5-夹子+弹片	1188B0001AV	P	不锈钢	
2	LC84-3.5-盖板	1264C0YXXAV	1	PA66	
1	LC84F-3.5-主体	1287M0YXXAV	1	PA66	
NO.	NAME OF PART	NO. OF PART	Q'TY	MATERIAL	NOTES
DES.	陈明珠	DATE	2026/02/25	UNITS	MM
CHK.		DATE		SIZE	A4
APP.		DATE		SCALE	1:1
				DWG NO.	SP-1-1020006
				REV:	V0
 上海联捷电气有限公司 Shanghai Elinker Electric CO.,LTD				TITLE	LC84F-3.5-XYP-1Y-00A LC84F-3.5-成品