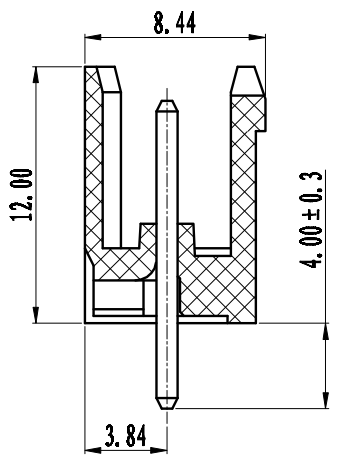
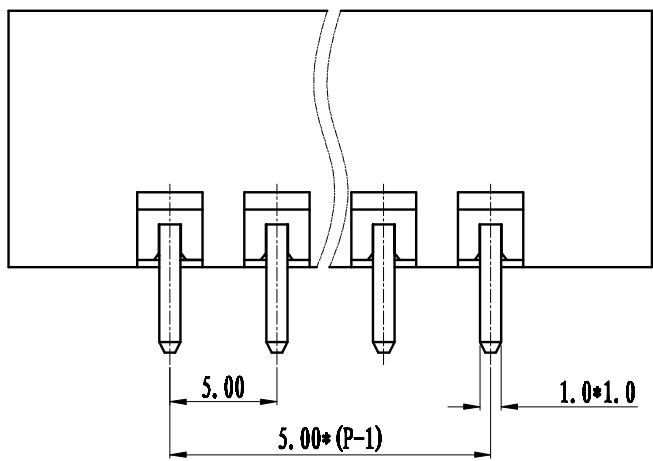
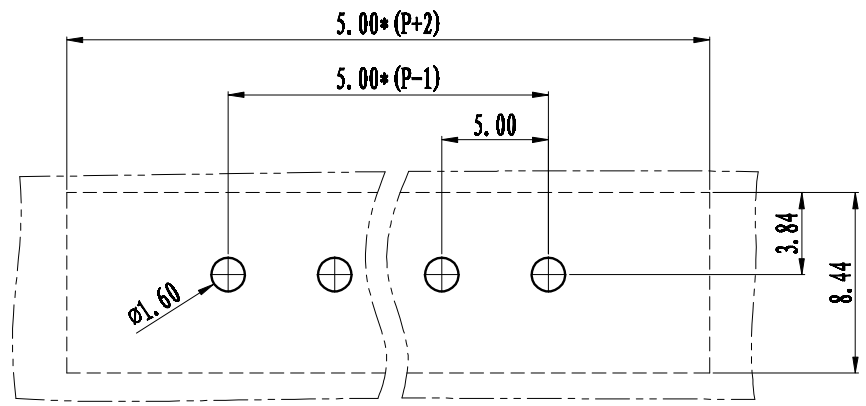
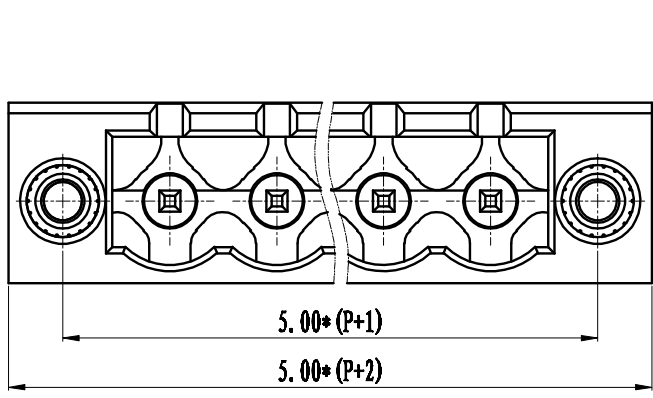


REVISION RECORD			
REV.	CONTENT	MOD.	DATE
①	初版发行		



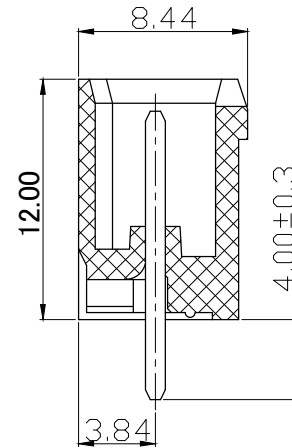
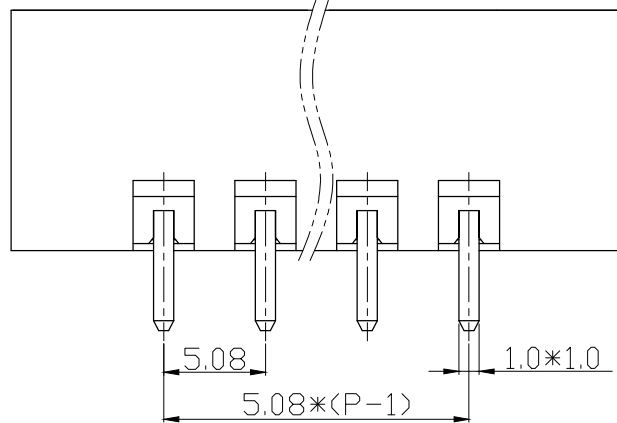
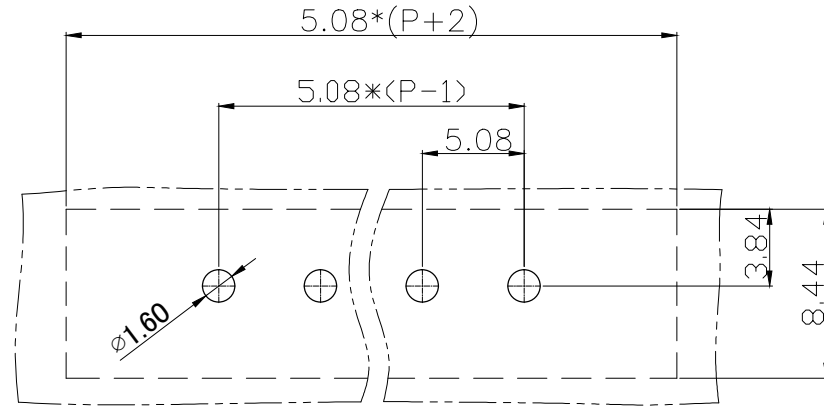
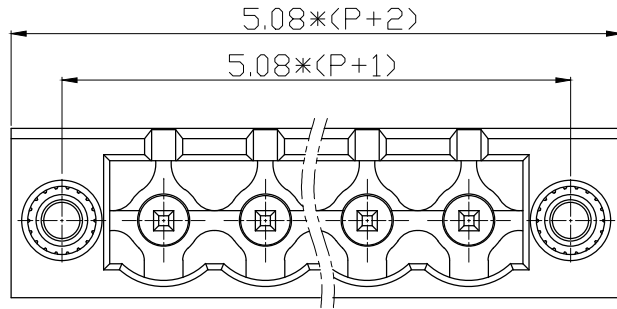
NOTES:
 Pitch: 5.0mm
 Rated Voltage: 300V
 Rated Current: 15A
 Withstand Voltage:
 AC2500V for 1 minute
 Insulation Resistance:
 5MQ / DC500V
 Using Temperature Range:
 -40°C ~ +105°C

技术要求:
 间距: 5.0mm
 额定电压: 300V
 额定电流: 15A
 耐电压值: AC2500V/min
 绝缘阻抗: 5MQ/DC500V
 使用条件: -40°C~+105°C

	pitch dimension			Nominal dimension					—
	over 0	over 6	over 10	over 0	over 30	over 60	over 100	over 150	
variable range	to 6	to 10	to 24	to 30	to 60	to 100	to 150		
Tolerance	±0.1	±0.15	±0.25	±0.2	±0.3	±0.5	±0.7	±1.0	

3.	LZ1-耳朵螺母	SM00B250000V	2	黄铜		
2.	LZ1-5.08-直针(1.2)	1015B0002AV	P	黄铜	镀雾锡	
1.	LZ1M-5.0-本体	1041M0YXXAV	1	PA66		
NO.	NAME OF PART	NO. OF PART	Q'TY	MATERIAL	NOTES	
DES.	XLM	DATE	2012/4/27	UNITS	MM	
CHK.			SIZE	A4	THIRD ANGLE PROJECTION	
APP.		DATE	SCALE	1:1	DWG NO. SP-2-1041003	
	上海联捷电气有限公司 Shanghai Bliker Electric C O.,LTD				TITLE	LZ1VM-5.0-XXP-1Y-00A LZ1VM-5.0-成品

REVISION		RECORD	
REV.	CONTENT	MOD.	DATE
△	初版发行		



NOTES:
Pitch : 5.08mm
Rated Voltage : 300V
Rated Current : 15A
Withstand Voltage :
AC2500V for 1 minute
Insulation Resistance :
500MΩ / DC500V
Using Temperature Range :
-40 ~ +105

技术要求:
间距: 5.08mm
额定电压: 300V
额定电流: 15A
耐电压值: AC2500V/min
绝缘阻抗: 500MΩ/DC500V
使用条件: -40°C ~ +105°C

	pitch dimension			Nominal dimension					— /
	over 0	over 6	over 10	over 0	over 30	over 60	over 100	over 150	
variable range	to 6	to 10	to 24	to 30	to 60	to 100	to 150		
Tolerance	±0.1	±0.15	±0.25	±0.2	±0.3	±0.5	±0.7	±1.0	0.05/10

3.	LZ1-耳朵螺母	SM00B250000V	2	黄铜	
2.	LZ1-5.08-直针	1015B0011AV	P	黄铜	镀雾锡
1.	LZ1M-5.08-本体	1015M0YXXAV	1	PA66	
NO.	NAME OF PART	NO. OF PART	Q'TY	MATERIAL	NOTES
DES.	CMZ	DATE	2026/03/31	UNITS	MM
CHK.				SIZE	A4
APP.		DATE		SCALE	1:1
				DWG NO.	SP-2-1015003
				REV:	T0
上海联捷电气有限公司 Shanghai Elinker Electric Co., Ltd				TITLE	LZ1VM-5.08-XXP-1Y-00A
					LZ1VM-5.08-成品